

## Technical data sheet

### Mounting bracket

Part no.: 50117257

BT D21M

#### Contents

- Technical data
- Dimensioned drawings
- Accessories



Figure can vary

## Technical data

### Basic data

Suitable for product group	Switching sensors, cylindrical
Suitable for	318 series sensors

### Mechanical data

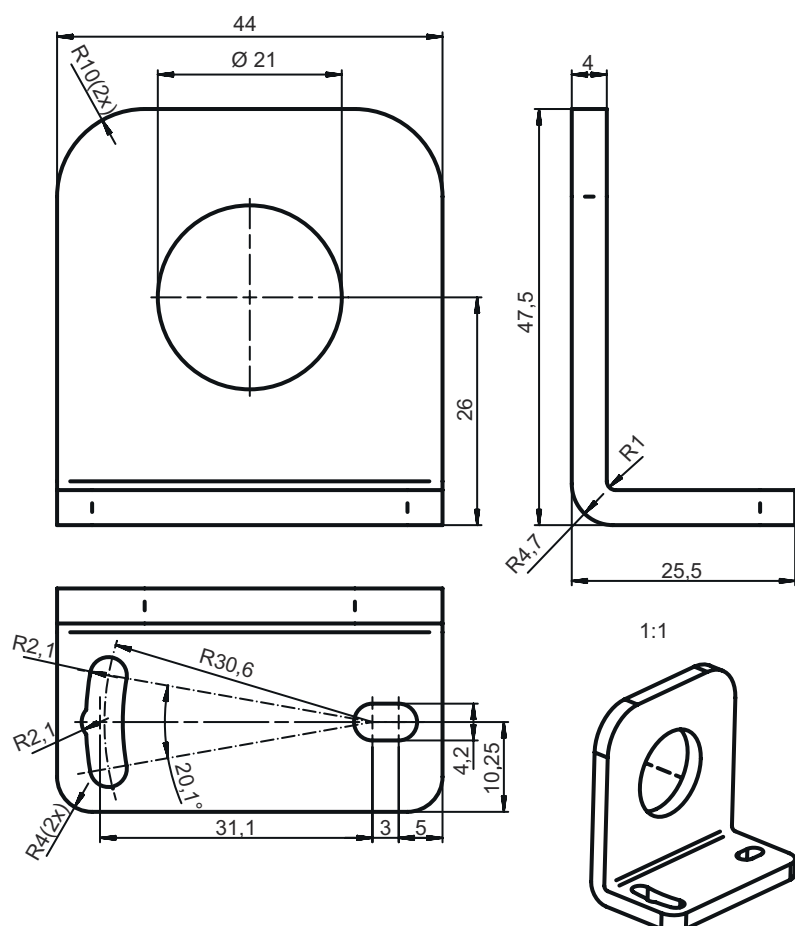
Inner diameter	21 mm
Standard designation, metal mounting device	Steel, galvanized
Design of mounting device	Angle, L-shape
Type of fastening, at system	Through-hole mounting
Type of fastening, at device	Screw type
Type of mounting device	Adjustable
Mounting device material	Metal
ITEM-compatible	No

### Classification

Customs tariff number	73182900
ECLASS 5.1.4	27279202
ECLASS 8.0	27279202
ECLASS 9.0	27273701
ECLASS 10.0	27273701
ECLASS 11.0	27273701
ECLASS 12.0	27273701
ETIM 5.0	EC002498
ETIM 6.0	EC003015
ETIM 7.0	EC003015
ETIM 8.0	EC003015


## Dimensioned drawings

All dimensions in millimeters



## Accessories

### Mounting technology - Other

	Part no.	Designation	Article	Description
	50121904	BT318B-OM	Fastening	Design of mounting device: Mounting clamp Fastening, at system: Through-hole mounting Mounting bracket, at device: Screw type Type of mounting device: Swiveling, Adjustable, Turning Material: Plastic Shock absorber: No

#### Note



↪ A list with all available accessories can be found on the Leuze website in the Download tab of the article detailed page.