

## Technical data sheet

### Mounting device

Part no.: 50025570

BT 96

#### Contents

- Technical data
- Dimensioned drawings
- Accessories



Figure can vary

## Technical data

### Basic data

|                            |                          |
|----------------------------|--------------------------|
| Suitable for product group | Switching sensors, cubic |
| Suitable for               | 96B series sensors       |

### Mechanical data

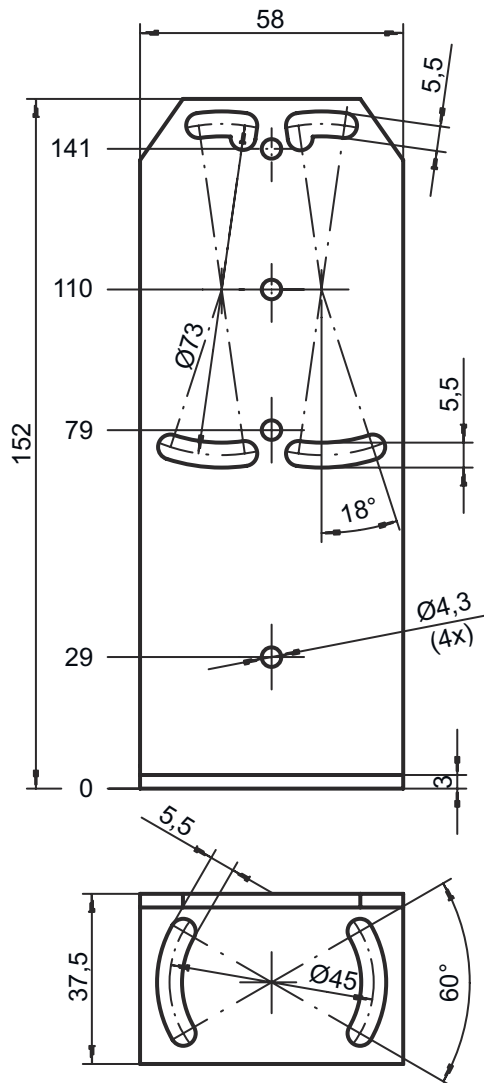
|                                             |                       |
|---------------------------------------------|-----------------------|
| Standard designation, metal mounting device | Steel, galvanized     |
| Design of mounting device                   | Angle, L-shape        |
| Type of fastening, at system                | Through-hole mounting |
| Type of fastening, at device                | Screw type            |
| Type of mounting device                     | Rigid                 |
| Mounting device material                    | Metal                 |

### Classification

|                       |          |
|-----------------------|----------|
| Customs tariff number | 73182900 |
| ECLASS 5.1.4          | 27279202 |
| ECLASS 8.0            | 27279202 |
| ECLASS 9.0            | 27273701 |
| ECLASS 10.0           | 27273701 |
| ECLASS 11.0           | 27273701 |
| ECLASS 12.0           | 27273701 |
| ETIM 5.0              | EC002498 |
| ETIM 6.0              | EC003015 |
| ETIM 7.0              | EC003015 |
| ETIM 8.0              | EC003015 |


# Dimensioned drawings

All dimensions in millimeters




## Accessories

### Standard reflectors

|                                                                                     | Part no. | Designation | Article   | Description                                                                                                                                                                                                                          |
|-------------------------------------------------------------------------------------|----------|-------------|-----------|--------------------------------------------------------------------------------------------------------------------------------------------------------------------------------------------------------------------------------------|
|  | 50022816 | TKS 100X100 | Reflector | Design: Rectangular<br>Triple reflector size: 4 mm<br>Reflective surface: 96 mm x 96 mm<br>Material: Plastic<br>Base material: Plastic<br>Chemical designation of the material: PMMA8N<br>Fastening: Through-hole mounting, Adhesive |

## Accessories

|                                                                                   | Part no. | Designation | Article   | Description                                                                                                                                                                                                                          |
|-----------------------------------------------------------------------------------|----------|-------------|-----------|--------------------------------------------------------------------------------------------------------------------------------------------------------------------------------------------------------------------------------------|
|  | 50022815 | TKS 50X100  | Reflector | Design: Rectangular<br>Triple reflector size: 4 mm<br>Reflective surface: 46 mm x 96 mm<br>Material: Plastic<br>Base material: Plastic<br>Chemical designation of the material: PMMA8N<br>Fastening: Through-hole mounting, Adhesive |

### Note



A list with all available accessories can be found on the Leuze website in the Download tab of the article detailed page.