

## Technical data sheet

### Mounting bracket

Part no.: 560346

BT-SET-240BS

#### Contents

- Technical data
- Dimensioned drawings



Figure can vary

## Technical data

### Basic data

Suitable for	MLD 500, MLD 300 multiple light beam safety devices
--------------	---

### Mechanical data

Type of fastening, at system	Through-hole mounting
Type of fastening, at device	Clampable
Type of mounting device	Shock absorber
	Turning, 240°
Mounting device material	Metal

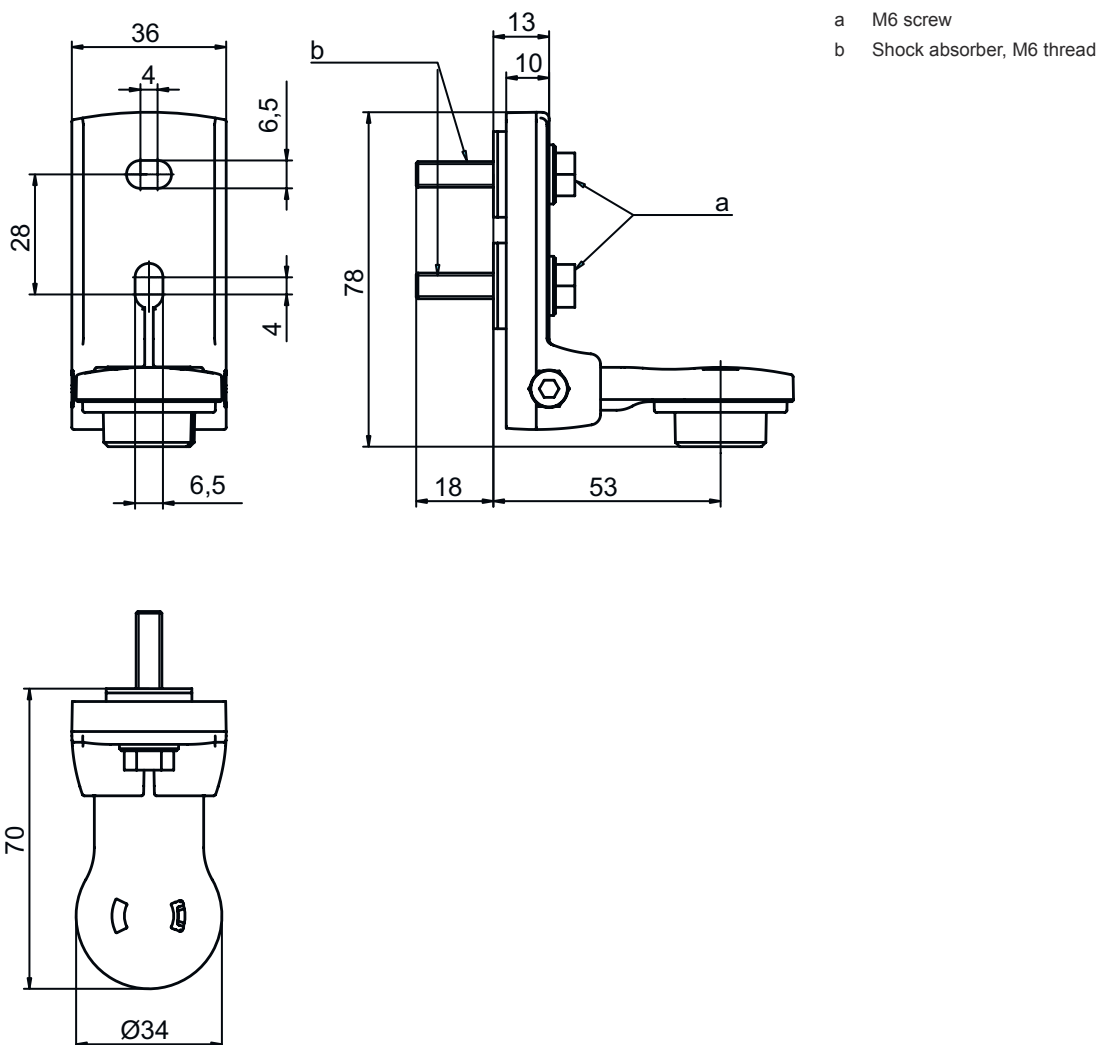
### Classification

Customs tariff number	73269098
eCl@ss 8.0	27279202
eCl@ss 9.0	27273701
ETIM 5.0	EC003015
ETIM 6.0	EC003015

## Dimensioned drawings

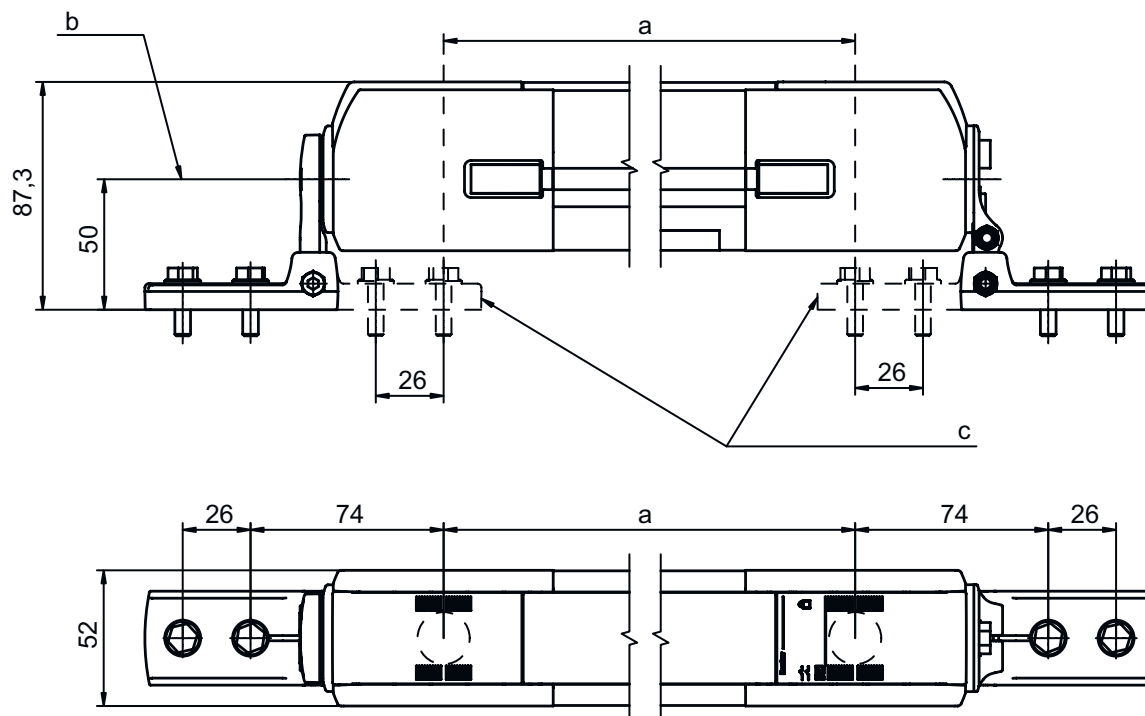
All dimensions in millimeters

### BT-SET-240BS swivel mount



## Dimensioned drawings

### Mounting dimensions



- a Beam spacing
- b Swivel axis
- c Alternative mounting variant

### Mounting variants

