

Technical data sheet

Reflector

Part no.: 50105153

TKS 50X50.1

Contents

- Technical data
- Dimensioned drawings
- Accessories



For illustration purposes only

Technical data

Mechanical data

Design	Rectangular
Direction-dependent	No
Triple reflector size	4 mm
Mounting dimension, width	51.4 mm
Mounting dimension, height	60.3 mm
Mounting dimension, thickness	8.5 mm
Reflective surface, height	48 mm
Reflective surface, width	47 mm
Reflector material	Plastic
Material of base material	Plastic
Polarization-changing	Yes
Chemical designation, reflector material	PMMA8N
Structure, active surface	Triple
Net weight	18 g
Type of fastening	Adhesive Through-hole mounting

Environmental data

Ambient temperature, operation	-40 ... 65 °C
--------------------------------	---------------

Certifications

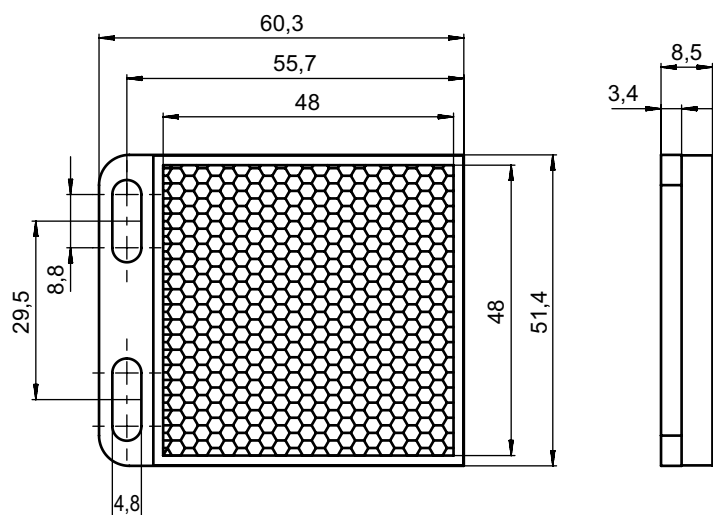
Degree of protection	IP 67
----------------------	-------

Classification

Customs tariff number	90029000
ECLASS 5.1.4	27279203
ECLASS 8.0	27279203
ECLASS 9.0	27273601
ECLASS 10.0	27273601
ECLASS 11.0	27273601
ECLASS 12.0	27273601
ECLASS 13.0	27273601
ECLASS 14.0	27273601
ECLASS 15.0	27273601
ECLASS 16.0	27273601
ETIM 5.0	EC002467
ETIM 6.0	EC002467
ETIM 7.0	EC002467
ETIM 8.0	EC002467
ETIM 9.0	EC002467
ETIM 10.0	EC002467
UNSPSC 26.08	39121551


Dimensioned drawings

All dimensions in millimeters



Accessories

Mounting technology - Rod mounts

	Part no.	Designation	Article	Description
	50117252	BTU 300M-D12	Mounting system	Contains: 2x M4 x 25 screw, 2x M4 x 20 screw, 4x position washers Design of mounting device: Mounting system Fastening, at system: For 12 mm rod, Sheet-metal mounting Mounting bracket, at device: Screw type, Suited for M4 screws Type of mounting device: Clampable, Adjustable, Turning, 360° Material: Metal

Note



A list with all available accessories can be found on the Leuze website in the Download tab of the article detailed page.