

## Technical data sheet

### Reflector

Part no.: 50136770

DTKS 30x50

#### Contents

- Technical data
- Dimensioned drawings
- Diagrams



For illustration purposes only



# Technical data

## Basic data

Suitable for	PRK5.R3
--------------	---------

## Optical data

Operating range	0.1 ... 0.3 m
-----------------	---------------

## Mechanical data

Design	Rectangular
Direction independent	No
Triple reflector size	2.3 mm
Mounting dimension, width	34 mm
Mounting dimension, height	75 mm
Mounting dimension, thickness	7 mm
Reflective surface, height	42.5 mm
Reflective surface, width	25.9 mm
Reflector material	Plastic
Material of base material	Plastic
Chemical designation, reflector material	PMMA
Structure, active surface	Triple
Net weight	13.5 g
Type of fastening	Adhesive Through-hole mounting
Type of reflector	Reflector

## Certifications

Degree of protection	IP 67
----------------------	-------

## Classification

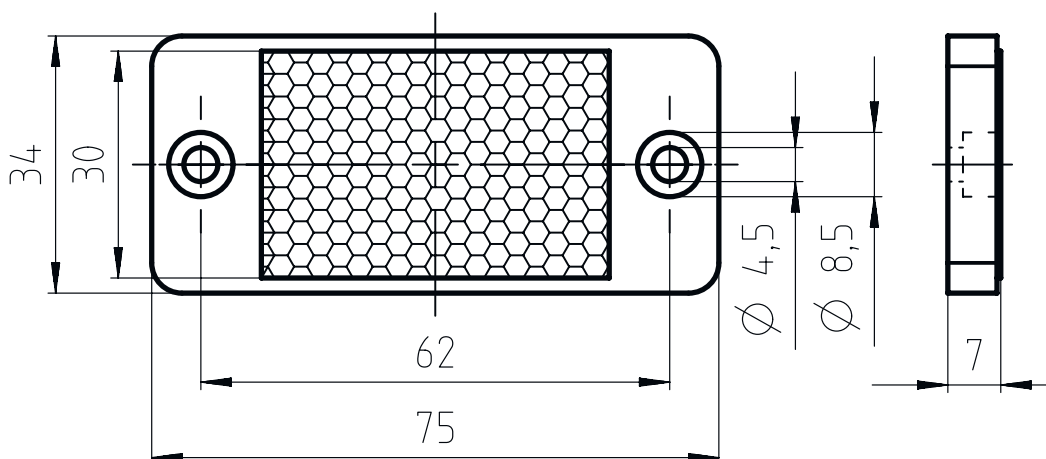
Customs tariff number	90029000
ECLASS 5.1.4	27279203
ECLASS 8.0	27279203
ECLASS 9.0	27273601
ECLASS 10.0	27273601
ECLASS 11.0	27273601
ECLASS 12.0	27273601
ECLASS 13.0	27273601
ECLASS 14.0	27273601
ECLASS 15.0	27273601
ECLASS 16.0	27273601
ETIM 5.0	EC002467
ETIM 6.0	EC002467
ETIM 7.0	EC002467
ETIM 8.0	EC002467
ETIM 9.0	EC002467
ETIM 10.0	EC002467
UNSPSC 26.08	39121551

## Environmental data

Ambient temperature, operation	-40 ... 70 °C
--------------------------------	---------------

# Dimensioned drawings

All dimensions in millimeters



## Diagrams

### Mounting instruction

