

Technical data sheet

Command device

Part no.: 50149356

CD-B2-Z-C01

Contents

- Technical data
- Dimensioned drawings
- Electrical connection
- Circuit diagrams
- Accessories



For illustration purposes only



Technical data

Basic data

Type	Display/command device (not safe)
------	-----------------------------------

Functions

Functions	Dimensions and design identical to L250 series locking devices Protected screw fitting
-----------	---

Electrical data

Contact allocation	2NO
Switching current via button	0 ... 550 mA
Current load, max.	1 A

Performance data

Supply voltage U_B	24 V, DC, 10 %
Rated insulation voltage	1.5 kV AC/DC

Connection

Number of connections	1 Piece(s)
-----------------------	------------

Connection 1

Function	Contact connection
Type of connection	Connector
Thread size	M12
Type	Male
Material	Stainless steel
No. of pins	8 -pin
Encoding	A-coded

Mechanical data

Dimension (W x H x L)	40 mm x 40 mm x 128 mm
Housing material	Plastic
Plastic housing	Glass fiber reinforced, self-extinguishing, shock-resistant
Net weight	245 g
Housing color	Gray
Type of fastening	Through-hole mounting Wall mounting
Type of cable entry	M12
Mechanical life time	1,000,000 actuation cycles, IEC 60947-5-1
Type of actuation	Button, white/button, blue
Sensor material	Plastic

Operation and display

Type of display	Continuous light LED
Operational controls	2 command devices (blue pushbutton, white pushbutton)

Environmental data

Ambient temperature, operation	-25 ... 70 °C
Ambient temperature, storage	-25 ... 70 °C

Certifications

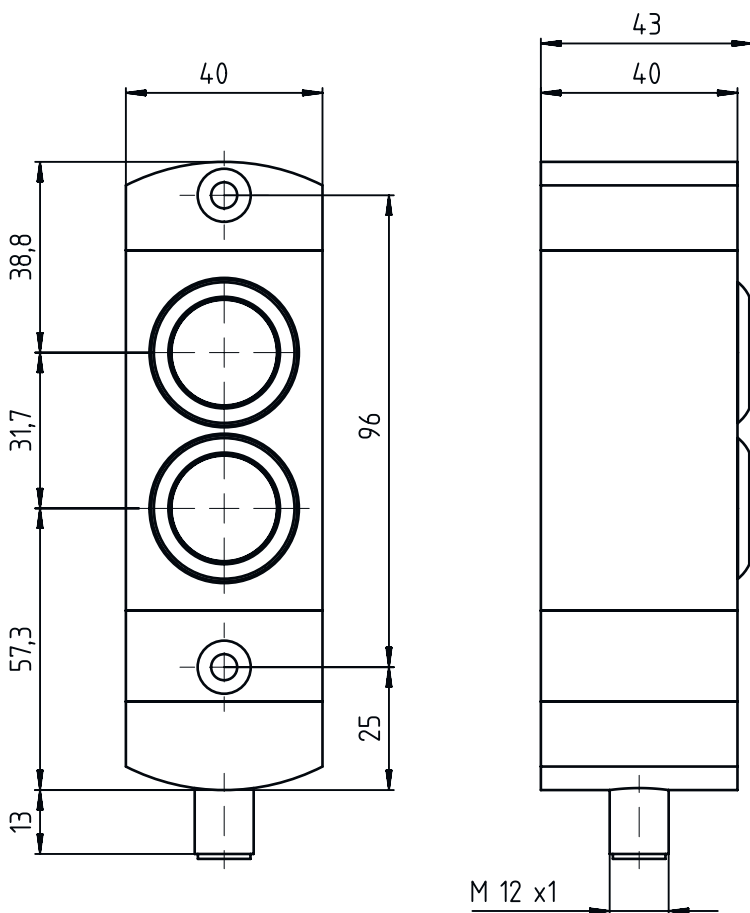
Degree of protection	IP 65
Protection class	III

Classification

Customs tariff number	85369095
ECLASS 5.1.4	27279290
ECLASS 8.0	27279290
ECLASS 9.0	27279090
ECLASS 10.0	27371246
ECLASS 11.0	27371246
ECLASS 12.0	27371246
ECLASS 13.0	27371246
ECLASS 14.0	27371246
ECLASS 15.0	27371246
ECLASS 16.0	27371246
ETIM 5.0	EC002498
ETIM 6.0	EC003015
ETIM 7.0	EC003015
ETIM 8.0	EC003015
ETIM 9.0	EC003015
ETIM 10.0	EC003015
UNSPSC 26.08	39122216

Dimensioned drawings

All dimensions in millimeters

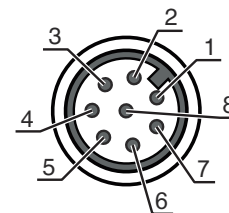


Electrical connection

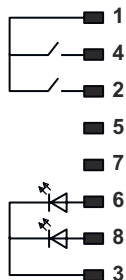
Connection 1

Function	Contact connection
Type of connection	Connector
Thread size	M12
Type	Male
Material	Stainless steel
No. of pins	8 -pin
Encoding	A-coded

Pin	Pin assignment
1	NO(1+2)
2	NO(2)
3	LED(1+2)
4	NO(1)
5	n.c.
6	LED(1)
7	n.c.
8	LED(2)



Circuit diagrams



Accessories

Connection technology - Connection cables

	Part no.	Designation	Article	Description
	50135121	KD U-M12-8A-P1-020	Connection cable	Application: Oil and lubricant resistant Connection 1: Connector, M12, Axial, Female, A-coded, 8 -pin Connector, LED: No Connection 2: Open end Shielded: No Cable length: 2,000 mm Sheathing material: PUR
	50135122	KD U-M12-8A-P1-050	Connection cable	Application: Oil and lubricant resistant Connection 1: Connector, M12, Axial, Female, A-coded, 8 -pin Connector, LED: No Connection 2: Open end Shielded: No Cable length: 5,000 mm Sheathing material: PUR
	50135123	KD U-M12-8A-P1-100	Connection cable	Application: Oil and lubricant resistant Connection 1: Connector, M12, Axial, Female, A-coded, 8 -pin Connector, LED: No Connection 2: Open end Shielded: No Cable length: 10,000 mm Sheathing material: PUR

Note



A list with all available accessories can be found on the Leuze website in the Download tab of the article detailed page.