

## Technical data sheet

### Y distribution box

Part no.: 50146768

YV U-SDD-84-83-83-X01

#### Contents

- Technical data
- Dimensioned drawings
- Electrical connection
- Circuit diagrams



Figure can vary



## Technical data

### Connection

Number of connections	3 Piece(s)
-----------------------	------------

#### Connection 1

Type of connection	Connector
Thread size	M8
Type	Female
No. of pins	3 -pin
Encoding	A-coded
Version	Axial

#### Connection 2

Type of connection	Connector
Thread size	M8
Type	Female
No. of pins	3 -pin
Encoding	A-coded
Version	Axial

#### Connection 3

Type of connection	Connector
Thread size	M8
Type	Male
No. of pins	4 -pin
Encoding	A-coded
Version	Axial

#### Cable properties

Shielded	No
----------	----

### Mechanical data

Design	Cubic
Dimension (W x H x L)	32 mm x 14 mm
Width across flats	13 mm
Length	40 mm
Housing color	Black
Material	PUR

### Environmental data

Ambient temperature, operation	-25 ... 85 °C
--------------------------------	---------------

### Certifications

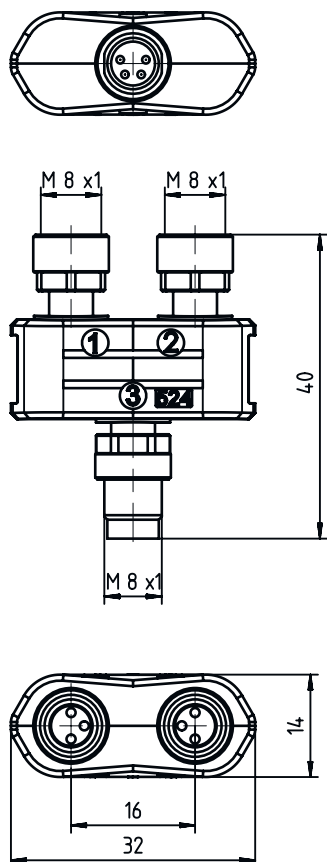
Degree of protection	IP 67
----------------------	-------

### Classification

Customs tariff number	85366990
ECLASS 5.1.4	27279201
ECLASS 8.0	27440104
ECLASS 9.0	27069190
ECLASS 10.0	27440111
ECLASS 11.0	27440111
ECLASS 12.0	27440111
ETIM 5.0	EC002498
ETIM 6.0	EC002925
ETIM 7.0	EC002925

# Dimensioned drawings

All dimensions in millimeters



## Electrical connection

### Connection 1

Type of connection	Connector
Thread size	M8
Type	Female
No. of pins	3 -pin
Encoding	A-coded
Version	Axial

### Connection 2

Type of connection	Connector
Thread size	M8
Type	Female
No. of pins	3 -pin
Encoding	A-coded
Version	Axial

# Electrical connection

## Connection 3

Type of connection	Connector
Thread size	M8
Type	Male
No. of pins	4 -pin
Encoding	A-coded
Version	Axial

## Circuit diagrams

