

Leuze

# Application Note

## Rotoscan RS4

Sensor Studio V1



Replacing one of the following products:

- RS4-2E; RS4-4; RS4-4E; RS4-6E
- replace a RS4-xx with a RSL4x0-x/CU411-RS4 without changing the wiring
- Almost the same scanning height with adapter kit and upside down mounting
- For additional information to the electrical connection of the adapter Kit, CU411-RS4, please have a look to the “supplement to operating instructions” on the download area of the follow-up article.

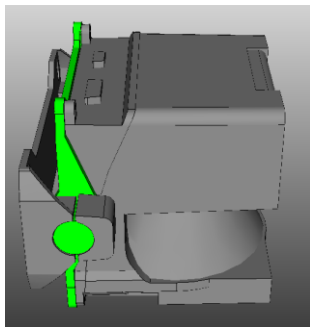
# Find the correct replacement

Old	New	Description
RS4-2E	RSL420-S/CU411-RS4	PF*: 3 Meters
RS4-4	RSL420-M/CU411-RS4	PF*: 4,5 Meters
RS4-4E	RSL420-M/CU411-RS4	PF*: 4,5 Meters
RS4-6E	RSL420-L/CU411-RS4	PF*: 6,25 Meters

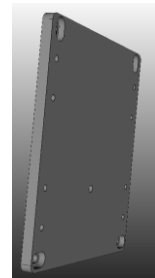
\*PF: Protectionfield

# Mounting overview

OLD



NEW



BT800MA



BTU804MA

Please mount the RSL upside down to reach the same scanner height!

- Existing protection fields can be implemented in the new Scanner
  - => Only the .rs file is necessary
- Install Sensor Studio **and** Safety Device Collection from our Website:
  - => <https://www.leuze.com/en/INT/contact-support/downloads/software/>
- Implement the Protective fields here:



- Other Scanner functionalities must be configured separately!
- Please go through your old scanner configuration and note the following:
  - Automatic restart or restart prevention (incl. timing)
  - Protective field resolution
  - Protective field reaction time
  - Which functionality is on Pin X1-5?
- You will find all settings on Sensor Studio again.
  
- If you are using X1-15 (Low active alarm output), please change your setting on PLC. The new RSL have high active signals only!

# Article numbers

<b>Product</b>	<b>Article number</b>	<b>Description</b>
RSL420-S/CU411-RS4	53800248	PF*: 3 Meters
RSL420-M/CU411-RS4	53800249	PF*: 4,5 Meters
RSL420-L/CU411-RS4	53800250	PF*: 6,25 Meters
BT800MA	53800137	Adapter plate, RS4 drilling template
BTU804MA	53800136	compatible with RS4 mounting system

# Did you know...

---

...WE KEEP YOU SUPPLIED WORLDWIDE

## **On-Site service, repairs and device replacement service**

- FAST ASSISTANCE DURING START-UP
- FAST HELP WORLDWIDE
- IN THE CASE OF EMERGENCY WE ARE AVAILABLE AROUND THE CLOCK

For emergencies, the Leuze electronic On-Call Service is available to you around the clock at +49 7021 573 – 0.





**For further support  
please contact our  
service hotline**



Technical Hotline

+49 7021 573 -110

[Service.protect@leuze.com](mailto:Service.protect@leuze.com)

Leuze electronic GmbH + Co. KG

[www.leuze.com](http://www.leuze.com)

