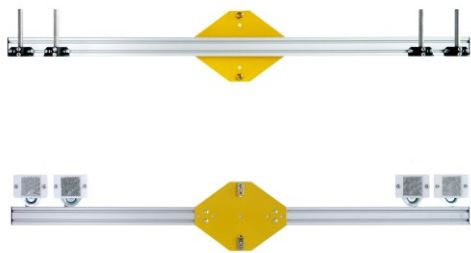


For MMS-S



Muting Montage System

Muting applications can be conveniently and easily implemented with the MMS Muting Mounting System. MMS are used both in combination with Safety Light Curtains and Multiple Light Beam Safety Devices with integrated Muting function and with devices without integrated Muting together with an MSI muting controller.

MMS can be used as vertically sliding on the UDC and DC device columns with rear-side slot, and as fixed-mounted on existing on-site columns.

Muting sensors and reflectors mounted on MMS can be positioned horizontally and vertically, and can be swiveled on the round bar brackets in a wide area.

MMS-S are intended for fixing 4 sensors for Sequential Muting.

One MMS-A-1000-S is sufficient if 4 HRT light scanners are used, while an additional MMS-P-1000S must be used if PRK reflex light barriers are fixed on the MMS-A-1000-S.

Advantages

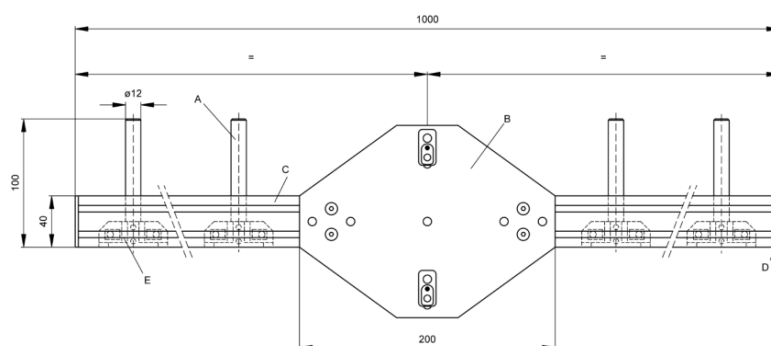
- Mounting system for Muting sensors
- Flexible mounting plate for attaching the MMS to the column
- Mounting of Muting-Sensors to MMS with 12 mm-V2A-round rods
- Adjustment of sensors horizontal and vertical in a big range
- MMS-P- includes reflectors and mounting devices

Areas of application

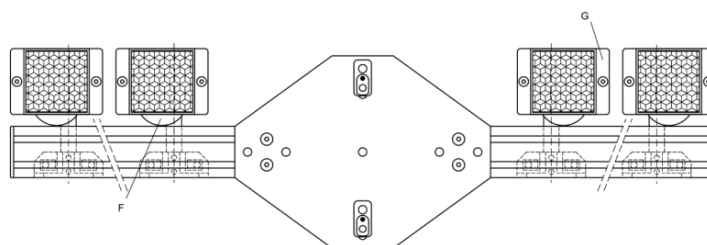
Mounting of muting sensors and reflectors for freestanding UDC/DC mounting columns or on existing on-site columns.

Dimensional Drawings

MMS-A-1000-S



MMS-P-1000-S



A = V2A-round rod 12x100 mm
 B = Mounting plate
 C = Alu profile
 D = Cap

E = Mounting device UMS 1.03
 F = Mounting device BT 46.1
 G = Reflector TKS 50x50

Order details

Art. no.	Article
548805	MMS-A-1000-S for active side – length 1000 mm
548806	MMS-P-1000-S for passive side – length 1000 mm

Other lengths on request. Sliding locks and screws included.