

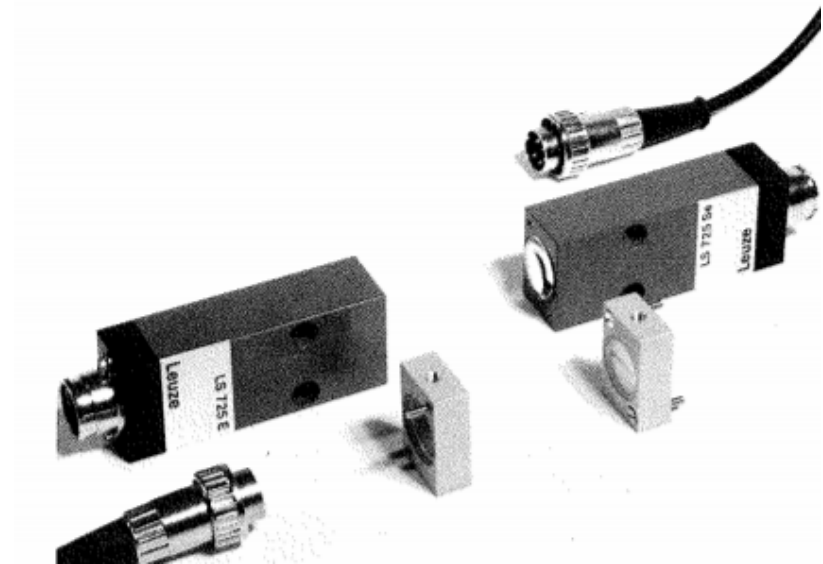
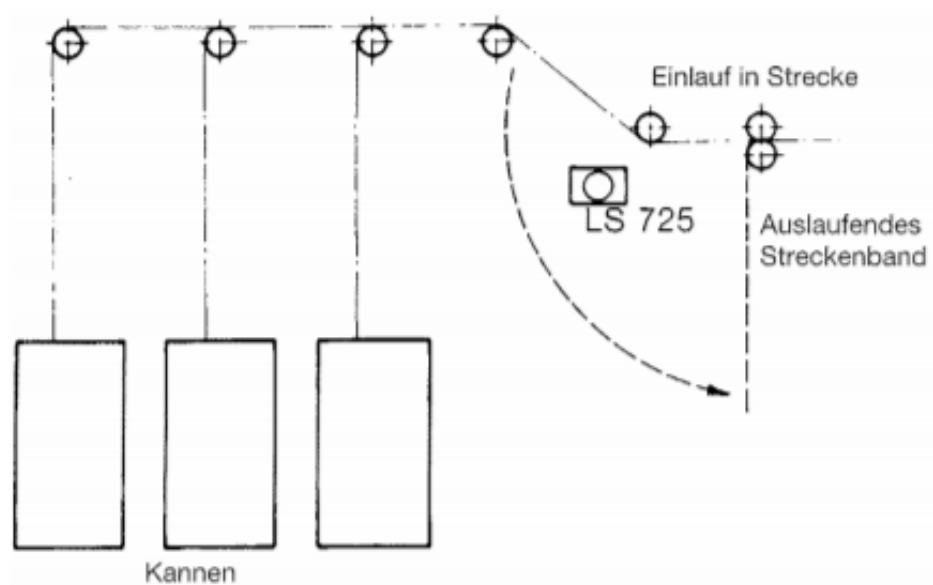
## Application Note

Replacement for “Mini”-Sensors in combination with an amplifier

LS 725 + VS 725

# General information LS 725 + VS 725

- The Mini-Sensor system: LS 725 + VS 725/4 or VS 725 were designed to detect a dynamic situation like a falling object by crossing the lightbeam.



# General information Amplifier

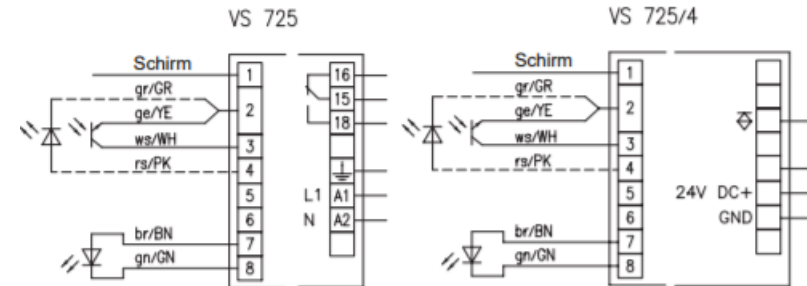
Amplifiers:

**For the replacement the amplifiers will no longer be in use!!!**

**VS 725/4 or VS 725**

- VS 725/4:  
- 24 Volt DC; 1 PNP-output

VS 725:  
230 Volt AC; 1 Relay-output



There is one Throughbeam-Sensorpair with similar dynamic behavior to replace the LS 725 / VS 725-combination.

**LS 725+VS 725/4 (24VDC / PNP-version) will be replaced directly**

**LS 725+VS 725(AC-Version) needs an additional power-supply to provide the sensors with 24VDC and to convert the PNP-output to a Relay-changeover contact**

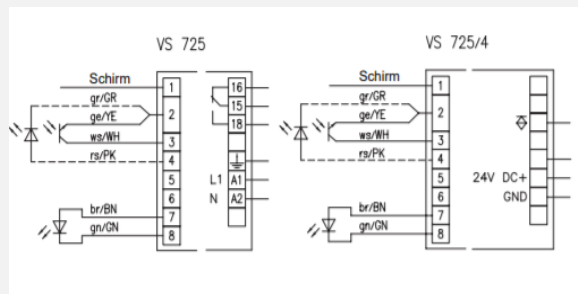
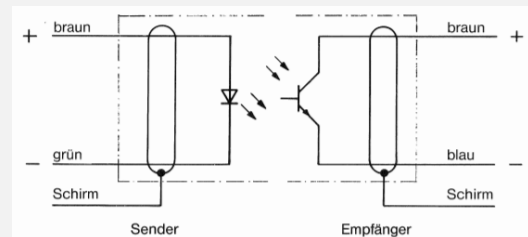
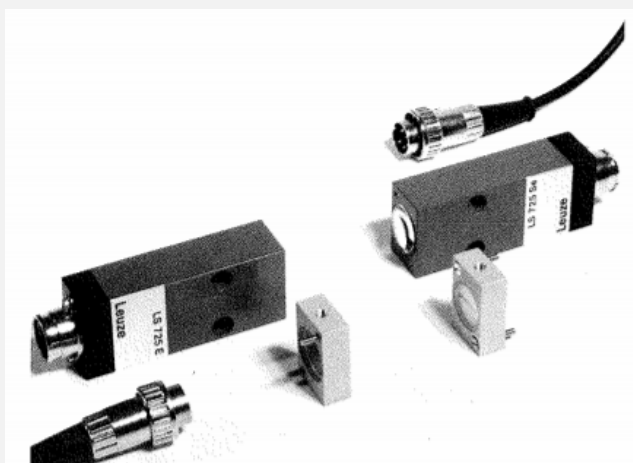
The replacement-sensorpair:

Transmitter: LS 64/2 Se-L.2  
50029072

Receiver: LS 64/4 E-L.51  
50110456



## DISCONTINUED



## REPLACEMENT



### Specification

No amplifier!

Voltage: 10-30VDC

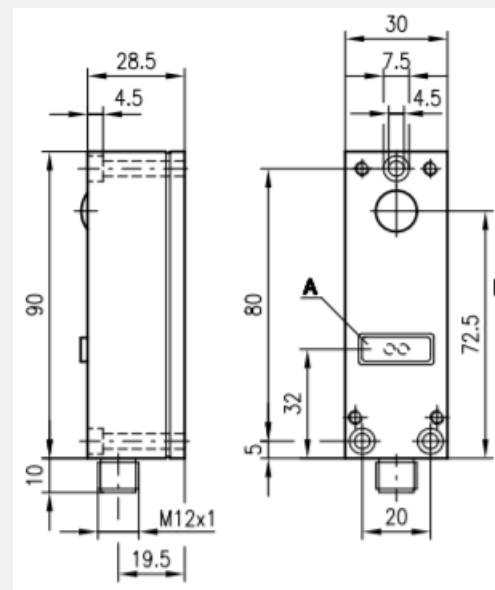
Output: 1x PNP

Part description **LS 64/4 E-L.51 - Throughbeam photoelectric sensor receiver**

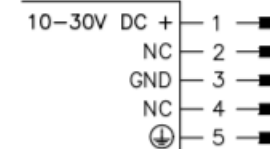
Part no. **50110456**

Part description **LS 64/2 SE-L.2 - Throughbeam photoelectric sensor transmitter**

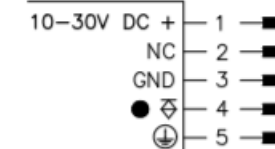
Part no. **50029072**



### Transmitter



### Receiver





**For further support  
please contact our  
service hotline.**



Technical Hotline

+49 7021 573 -110

[service.protect@leuze.com](mailto:service.protect@leuze.com)

Leuze electronic GmbH + Co. KG

[www.leuze.com](http://www.leuze.com)

