

## Technical data sheet

### Inductive switch

Part no.: 50117200

IS 255MP/4NO-1E5,200-S8.3

#### Contents

- Technical data
- Dimensioned drawings
- Electrical connection
- Diagrams
- Operation and display
- Part number code
- Notes
- Accessories



For illustration purposes only



## Technical data

### Basic data

Series	255
type. operating range limit $S_n$	1.5 mm
Operating range $S_a$	0 ... 1.2 mm

### Characteristic parameters

### Electrical data

Protective circuit	Inductive protection
	Polarity reversal protection
	Short circuit protected

### Performance data

Supply voltage $U_B$	10 ... 30 V, DC
Residual ripple	0 ... 20 %, From $U_B$
Open-circuit current	0 ... 10 mA
Temperature drift, max. (in % of $S_r$ )	10 %, Over the entire operating temperature range
Repeatability, max. (in % of $S_r$ )	2 %, For $U_B = 20 ... 30$ VDC, ambient temperature $T_a = 23^\circ\text{C} \pm 5^\circ\text{C}$
Switching hysteresis	10 %

### Outputs

Number of digital switching outputs	1 Piece(s)
-------------------------------------	------------

### Switching outputs

Voltage type	DC
Switching current, max.	200 mA
Residual current, max.	0.1 mA
Voltage drop	$\leq 2$ V

### Switching output 1

Switching element	Transistor, PNP
Switching principle	NO (normally open)

### Time behavior

Switching frequency	3,000 Hz
Readiness delay	10 ms

### Connection

Number of connections	1 Piece(s)
-----------------------	------------

### Connection 1

Function	Signal OUT
	Voltage supply
Type of connection	Cable with connector
Cable length	200 mm
Sheathing material	PUR
Cable color	Gray
Wire cross section	0.055 mm <sup>2</sup>
Thread size	M8
Type	Male
Material	Metal
No. of pins	3 -pin
Version	Axial

### Mechanical data

Design	Cubic
Dimension (W x H x L)	5 mm x 5 mm x 25 mm
Type of installation	Embedded/flush
Housing material	Metal
Metal housing	Chromed brass
Sensing face material	Plastic, Polyester
Net weight	27 g
Housing color	Red, RAL 3000 Silver
Type of fastening	Through-hole mounting
Standard measuring plate	5 x 5 mm <sup>2</sup> , Fe360

### Operation and display

Type of display	LED
Number of LEDs	1 Piece(s)

### Environmental data

Ambient temperature, operation	-25 ... 70 °C
Ambient temperature, storage	-25 ... 70 °C

### Certifications

Degree of protection	IP 67
Protection class	III
Approvals	c UL US
Test procedure for EMC in accordance with standard	IEC 61000-4-2
	IEC 61000-4-3
	IEC 61000-4-4
Standards applied	IEC 60947-5-2

### Correction factors

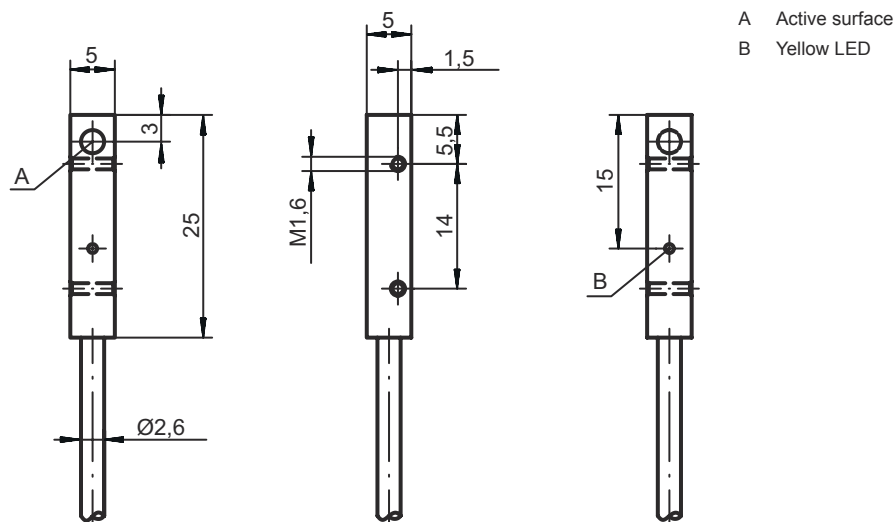
Aluminum	0.6
Stainless steel	0.85
Copper	0.6
Brass	0.7
Fe360 steel	1

### Classification

Customs tariff number	85365019
ECLASS 5.1.4	27270101
ECLASS 8.0	27270101
ECLASS 9.0	27270101
ECLASS 10.0	27270101
ECLASS 11.0	27270101
ECLASS 12.0	27274001
ECLASS 13.0	27274001
ECLASS 14.0	27274001
ECLASS 15.0	27274001
ECLASS 16.0	27274001
ETIM 5.0	EC002714
ETIM 6.0	EC002714
ETIM 7.0	EC002714
ETIM 8.0	EC002714
ETIM 9.0	EC002714
ETIM 10.0	EC002714
UNSPSC 26.08	39122230

# Dimensioned drawings

All dimensions in millimeters



## Electrical connection

### Connection 1

Function	Signal OUT
	Voltage supply
Type of connection	Cable with connector
Cable length	200 mm
Sheathing material	PUR
Cable color	Gray
Wire cross section	0.055 mm <sup>2</sup>
Thread size	M8
Type	Male
Material	Metal
No. of pins	3 -pin
Version	Axial

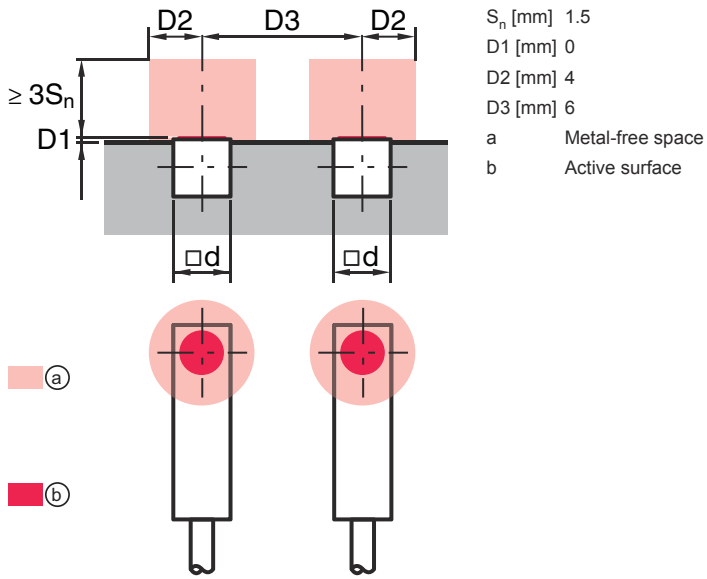
### Pin Pin assignment

1	V+
3	GND
4	OUT 1

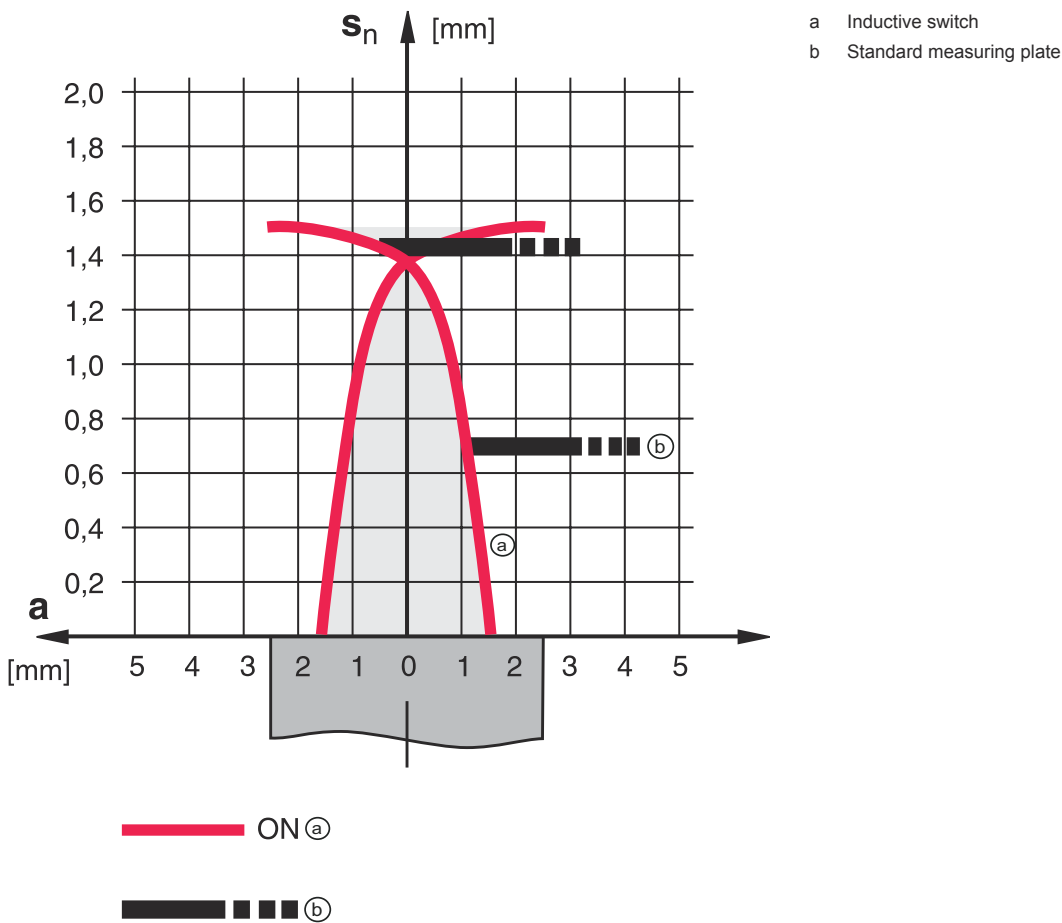


**Diagrams**

Embedded/flush installation



Types with  $S_n = 1.5$  mm



# Operation and display

LED	Display	Meaning
1	Yellow, continuous light	Switching output/switching state

## Part number code

Part designation: **ISX YYY ZZ/AAA.BB-CCC-DDD-DDD**

<b>ISX</b>	<p><b>Operating principle / construction</b>                      IS: inductive switch, standard design                      ISS: inductive switch, short construction</p>
<b>YYY</b>	<p><b>Series</b>                      203: series with Ø 3 mm                      204: series with Ø 4 mm                      205: series with M5 x 0.5 external thread                      206: series with Ø 6.5 mm                      208: series with M8 x 1 external thread                      212: series with M12 x 1 external thread                      218: series with M18 x 1 external thread                      230: series with M30 x 1.5 external thread                      240: series in cubic design                      244: series in cubic design                      255: series with 5 x 5 mm<sup>2</sup> cross section                      288: series with 8 x 8 mm<sup>2</sup> cross section</p>
<b>ZZ</b>	<p><b>Housing / thread</b>                      MM: metal housing (active surface: plastic) / metric thread                      FM: Full-metal housing (active surface: stainless steel AISI 316L) / metric thread                      MP: metal housing (active surface: plastic) / smooth (without thread)                      .2: New version</p>
<b>AAA</b>	<p><b>Output current / supply</b>                      4NO: PNP transistor, NO contact                      4NC: PNP transistor, NC contact                      2NO: NPN transistor, NO contact                      2NC: NPN transistor, NC contact                      1NO: relay, NO contact / AC/DC                      1NC: Relay, NC contact / AC/DC                      44: 2 PNP transistor switching outputs, antivalent (NO + NC)                      22: 2 NPN transistor switching outputs, antivalent (NO + NC)                      L: IO-Link interface                      X: pin not used</p>
<b>BB</b>	<p><b>Special equipment</b>                      n/a: no special equipment                      5F: Food version                      5: housing material V2A (1.4305, AISI 303)</p>
<b>CCC</b>	<p><b>Measurement range / type of installation</b>                      1E0: typ. range limit 1.0 mm / embedded/flush installation                      1E5: typ. range limit 1.5 mm / embedded/flush installation                      2E0: typ. range limit 2.0 mm / embedded/flush installation                      3E0: typ. range limit 3.0 mm / embedded/flush installation                      4E0: typ. range limit 4.0 mm / embedded/flush installation                      5E0: typ. range limit 5.0 mm / embedded/flush installation                      6E0: typ. range limit 6.0 mm / embedded/flush installation                      8E0: typ. range limit 8.0 mm / embedded/flush installation                      10E: typ. range limit 10.0 mm / embedded/flush installation                      12E: typ. range limit 12.0 mm / embedded/flush installation                      15E: typ. range limit 15.0 mm / embedded/flush installation                      20E: typ. range limit 20.0 mm / embedded/flush installation                      22E: typ. range limit 22.0 mm / embedded/flush installation                      2N5: typ. range limit 2.5 mm / non-embedded/non-flush installation                      4N0: typ. range limit 4.0 mm / non-embedded/non-flush installation                      8N0: typ. range limit 8.0 mm / non-embedded/non-flush installation                      10N: typ. range limit 10.0 mm / non-embedded/non-flush installation                      12N: typ. range limit 12.0 mm / non-embedded/non-flush installation                      14N: typ. range limit 14.0 mm / non-embedded/non-flush installation                      15N: typ. range limit 15.0 mm / non-embedded/non-flush installation                      20N: typ. range limit 20.0 mm / non-embedded/non-flush installation                      22N: typ. range limit 22.0 mm / non-embedded/non-flush installation                      25N: typ. range limit 25.0 mm / non-embedded/non-flush installation                      40N: typ. range limit 40.0 mm / non-embedded/non-flush installation</p>

## Part number code

<b>DDD</b>	<p><b>Electrical connection</b>                  n/a: cable, standard length 2000 mm                  S12: M12 connector, 4-pin, axial                  200-S12: cable, length 200 mm with M12 connector, 4-pin, axial                  200-S8.3: cable, length 200 mm with M8 connector, 3-pin, axial                  S8.3: M8 connector, 3-pin, axial                  005-S8.3: cable, length 500 mm with M8 connector, 3-pin, axial                  050: cable, standard length 5000 mm, 3-wire</p>
------------	---

Note	
	<p>A list with all available device types can be found on the Leuze website at <a href="http://www.leuze.com">www.leuze.com</a>.</p>

## Notes

⚠ Observe intended use!	
	<ul style="list-style-type: none"> <li>⌘ This product is not a safety sensor and is not intended as personnel protection.</li> <li>⌘ The product may only be put into operation by competent persons.</li> <li>⌘ Only use the product in accordance with its intended use.</li> </ul>

⚠ For UL applications:	
	<p>⌘ For UL applications, use is only permitted in Class 2 circuits in accordance with the NEC (National Electric Code).</p>

## Accessories

### Connection technology - Connection cables

	Part no.	Designation	Article	Description
	50130842	KD U-M8-3A-P1-020	Connection cable	Application: Oil and lubricant resistant Connection 1: Connector, M8, Axial, Female, 3 -pin Connector, LED: No Connection 2: Open end Shielded: No Cable length: 2,000 mm Sheathing material: PUR
	50130844	KD U-M8-3A-P1-050	Connection cable	Application: Oil and lubricant resistant Connection 1: Connector, M8, Axial, Female, 3 -pin Connector, LED: No Connection 2: Open end Shielded: No Cable length: 5,000 mm Sheathing material: PUR

## Accessories

### Note



A list with all available accessories can be found on the Leuze website in the Download tab of the article detailed page.