

# Application Note Substitute

RRT42.x



PM2-500



AMI42



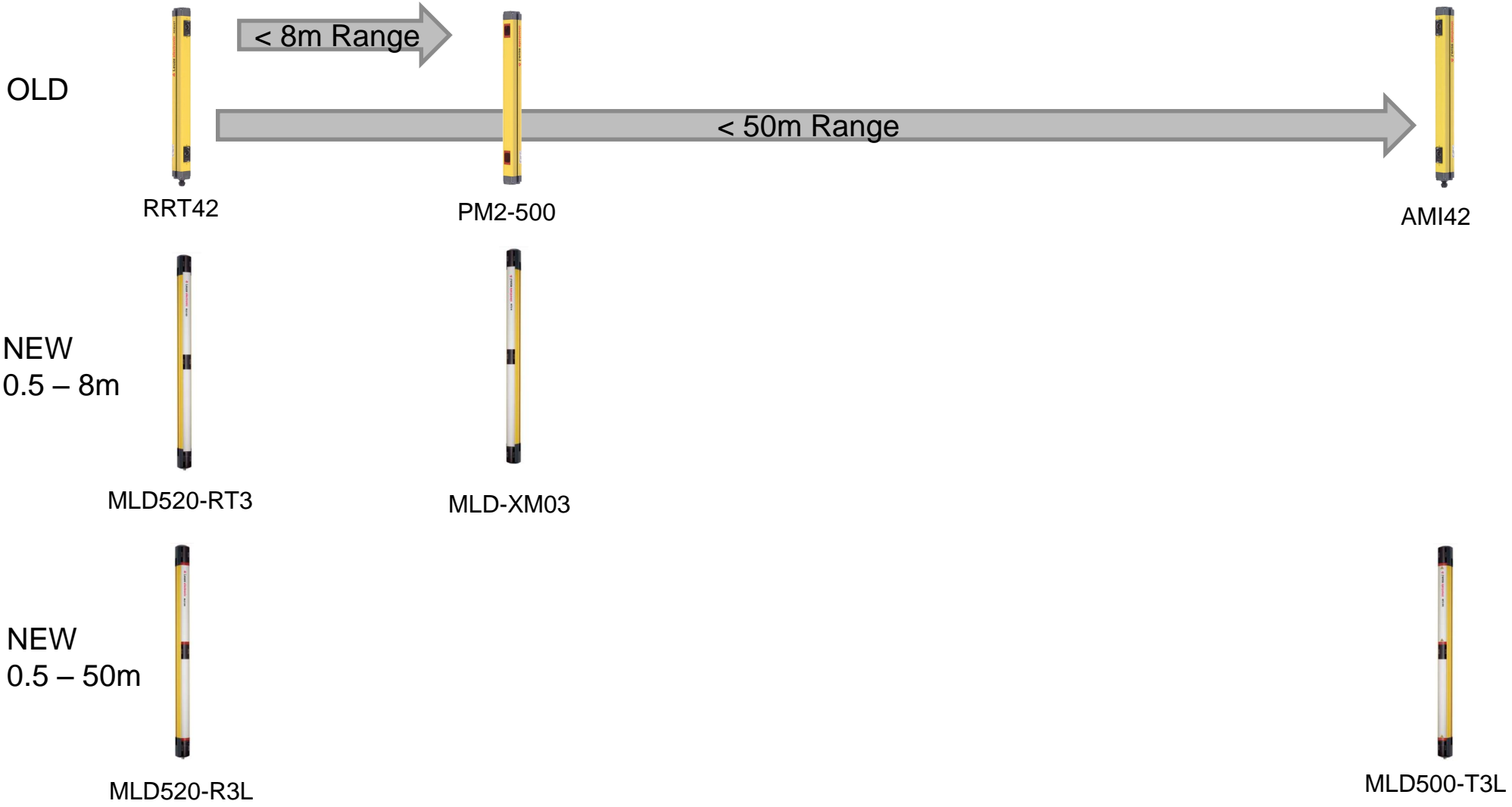
## General Information

---

- Replacement for RRT42, 2 beam Type 4, PL-e light grid with relay output replacement
- Due to change at the standards, the proposal is always a 3 – beam system.
  - 0.5 – 50 m Range: MLD520-R3L and MLD500-T3L with field relay box ML2R-RM2
    - Replacement with no changing in the cabinet due to the relay box
    - Space for relay box ~ 1.5 m distance from MLD520-R3L
  - 0.5 – 8 m Range: MLD520-RT3 and MLD-XM03 with field relay box ML2R-RM2
    - Replacement with no changing in the cabinet due to the relay box
    - Space for relay box ~ 1.5 m distance from MLD520-R3L



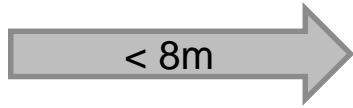
# Find the correct replacment:



# Required products:



OLD



NEW

MLD520-RT3

BT-2SB10

MLD-XM03

+

ML2R-RM2



MLD520-R3L

BT-2SB10

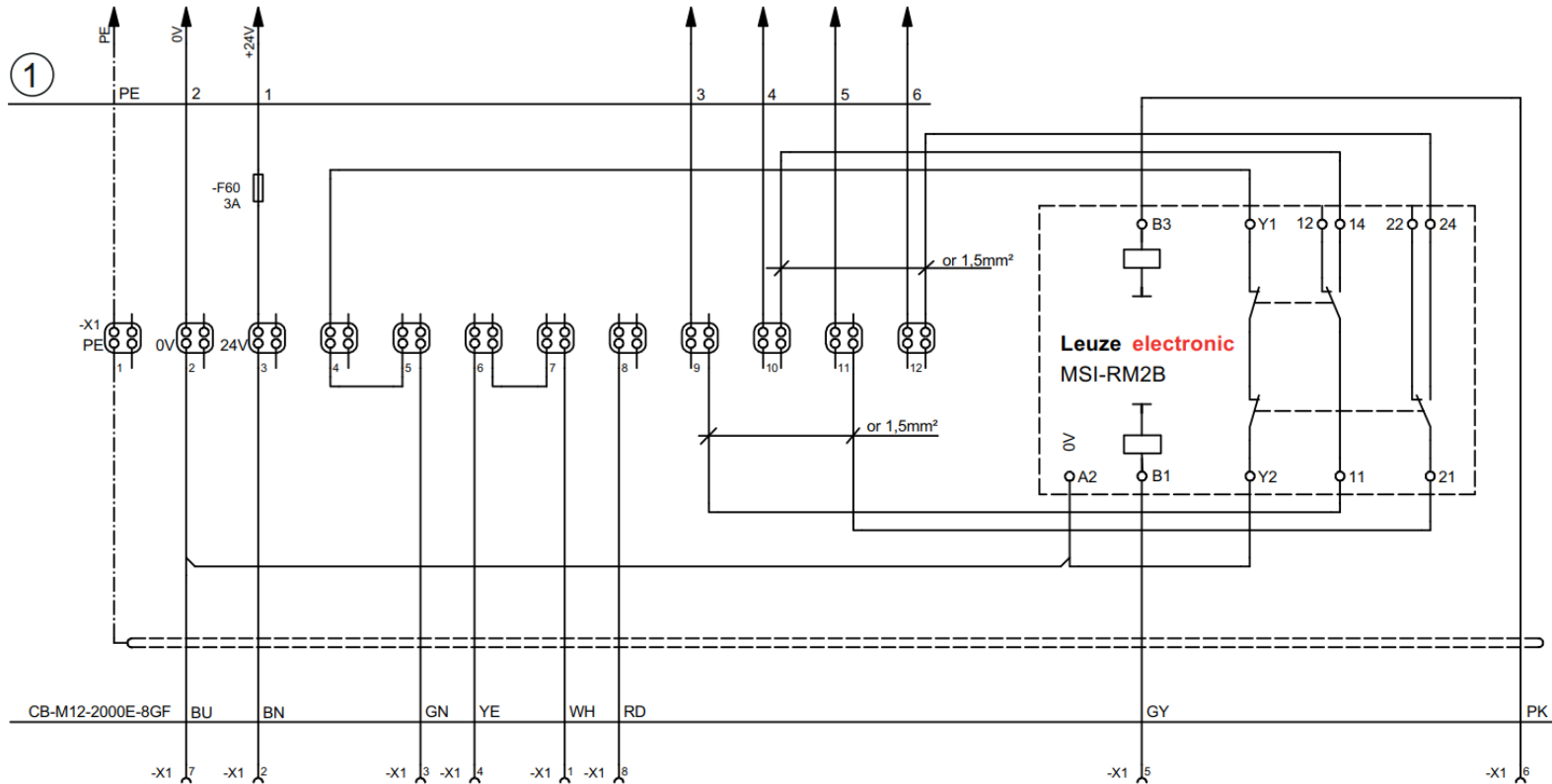
MLD500-T3L

+

ML2R-RM2

# Substitute SLS 78/RE with MLD; Solution 1

## Internal wiring of the ML2R-RM2 relay box



## Notes for special article numbers

Article code	part no.	spezial	note
RRT42	50029527	---	---
RRT42/W	51000005	Hirschman plug	Cut plug / wiring direct at ML2R-RM2
RRT42-900/W	909647	Hirschman plug, 900 mm Beam distance	Cut plug / wiring direct at ML2R-RM2; 3 – beam system do have 800 mm check application
RRT42.5	909676	Cable glands M20x1.5	---
RRT42.2	909680	Hirschman plug + 15m cable	Cut plug / wiring direct at ML2R-RM2
RRT42.3	909681	End cap with Muting lamp	Add Part no: 50135453 or other lamp
RRT42/G	909685	Hirschman plug	Cut plug / wiring direct at ML2R-RM2

## Attention

---

### Note:

Please pay attention to the following points:

- MLD520R3L & MLD500T3L solution with alignment laser aid
- If the unit is mounted in a column, the MLD – series will fit at the same column. Mounting height for the lowest beam is standard on 300 mm above the floor / conveyer. Mounting is also usual between 100 – 300 mm lowest beam.
- different response time, RRT42 (<20 msec); MLD520+ML2R-RM2 (<45 msec)
- Different housing, RRT42 - unit are ~ 684 mm long, MLD520-x3x are ~ 900 mm long

### Any questions!?



Technical Hotline +49 7021 573 -110

E-Mail: [service.protect@leuze.com](mailto:service.protect@leuze.com)

## Did you know...

---

...WE KEEP YOU SUPPLIED WORLDWIDE

### **On-Site service, repairs and device replacement service**

- FAST ASSISTANCE DURING START-UP
- FAST HELP WORLDWIDE
- IN THE CASE OF EMERGENCY WE ARE AVAILABLE AROUND THE CLOCK



For emergencies, the Leuze electronic On-Call Service is available to you around the clock at **+49 7021 573 – 0**.



SMART  
**SENSOR**  
BUSINESS

Headquarters  
Leuze electronic GmbH + Co. KG  
In der Braike 1, 73277 Owen, Germany  
[www.leuze.com](http://www.leuze.com)

 **Leuze electronic**

the **sensor** people