

Technical data sheet

Reflector

Part no.: 50000071

HTK 82-24V

Contents

- Technical data
- Dimensioned drawings
- Electrical connection



For illustration purposes only

Technical data

Special version

| | |
|-----------------|---------|
| Special version | Heating |
|-----------------|---------|

Electrical data

Performance data

| | |
|-------------------------|--------------------|
| Supply voltage U_B | 24 ... 24 V, AC/DC |
| Power consumption, max. | 2.8 W |

Connection

Connection 1

| | |
|----------------------|----------------|
| Function | Voltage supply |
| Type of connection | Cable |
| Cable length | 5,000 mm |
| Sheathing material | PVC |
| Cable color | Black |
| Number of conductors | 2 -wire |

Mechanical data

| | |
|--|-----------------------|
| Design | Round |
| Mounting dimension, thickness | 21 mm |
| Mounting dimension, diameter | 93 mm |
| Reflective surface, diameter | 78 mm |
| Reflector material | Plastic |
| Material of base material | Plastic |
| Chemical designation, reflector material | PMMA8N |
| Structure, active surface | Triple |
| Net weight | 364 g |
| Type of fastening | Through-hole mounting |

Environmental data

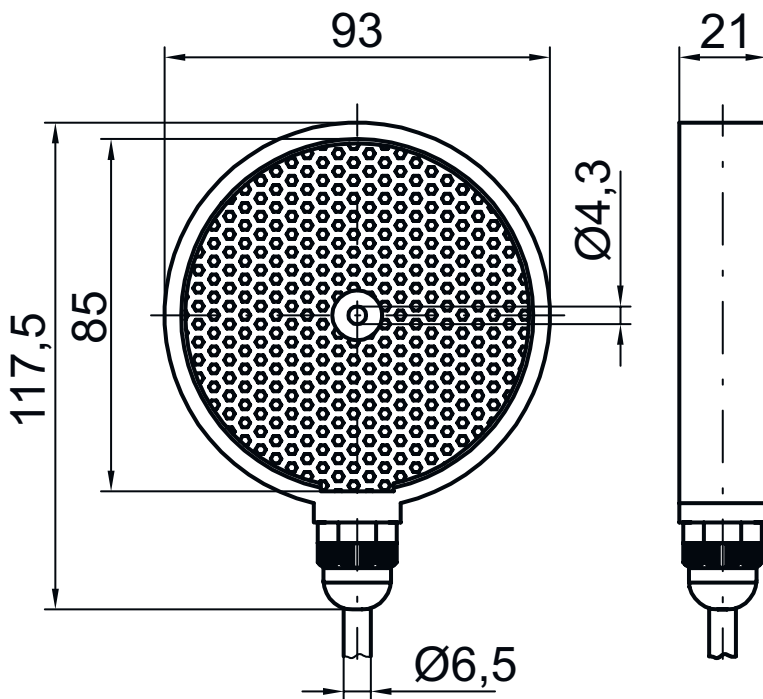
| | |
|--------------------------------|---------------|
| Ambient temperature, operation | -40 ... 70 °C |
|--------------------------------|---------------|

Classification

| | |
|-----------------------|----------|
| Customs tariff number | 39269097 |
| ECLASS 5.1.4 | 27279203 |
| ECLASS 8.0 | 27279203 |
| ECLASS 9.0 | 27273601 |
| ECLASS 10.0 | 27273601 |
| ECLASS 11.0 | 27273601 |
| ECLASS 12.0 | 27273601 |
| ECLASS 13.0 | 27273601 |
| ECLASS 14.0 | 27273601 |
| ECLASS 15.0 | 27273601 |
| ETIM 5.0 | EC002467 |
| ETIM 6.0 | EC002467 |
| ETIM 7.0 | EC002467 |
| ETIM 8.0 | EC002467 |
| ETIM 9.0 | EC002467 |
| ETIM 10.0 | EC002467 |

Dimensioned drawings

All dimensions in millimeters



Electrical connection

Connection 1

| | |
|----------------------|----------------|
| Function | Voltage supply |
| Type of connection | Cable |
| Cable length | 5,000 mm |
| Sheathing material | PVC |
| Cable color | Black |
| Number of conductors | 2 -wire |

Conductor color

Conductor assignment

| | |
|-------|-------|
| Blue | +24 V |
| Brown | 0 V |