

Technical data

Basic data

Series	S300
--------	------

Functions

Functions	Integration in control circuits up to category 4 in accordance with EN ISO 13849-1 Locking device without guard interlocking according to EN ISO 14119
-----------	---

Characteristic parameters

Mission time T_M	20 years, EN ISO 13849-1
$B10_d$	40,000,000 number of cycles

Electrical data

Usage category at DC 13	U_e / I_e : 24 V / 6 A, 125 V / 1.1 A, 250 V / 0.4 A, EN 60947-5-1
Usage category at AC 15	U_e / I_e : 250 V / 6 A, 400 V / 4 A, 500 V / 1 A, EN 60947-5-1
Contact allocation	1NC + 1NO
Contact opening	Force-fit
Short circuit protected	500 V, 10 A, type aM, IEC 60269-1
Contact protection	Earthing

Performance data

Rated insulation voltage	500 V AC, 600 V DC
Conventional thermal current, max.	10 A

Connection

Number of connections	1 Piece(s)
Number of cable entries	3 Piece(s)

Connection 1

Function	Contact connection
Type of connection	Terminal
Type of terminal	Screw terminal
No. of pins	4 -pin

Cable properties

Connection cross sections	1 x 0.5 mm ² to 2 x 2.5 mm ² , wire
---------------------------	---

Mechanical data

Design	Cubic
Dimension (W x H x L)	56 mm x 33 mm x 107 mm
Housing material	Metal
Metal housing	ZAMAK
Electrical contact material	Silver alloy
Net weight	251 g
Housing color	Gray
Type of fastening	Through-hole mounting
Type of cable entry	M20 x 1.5
Switch type	Interlock device without guard interlocking, ISO 14119
Switching principle	Snap-action contact
Switching direction	Both sides
Approach actuation directions	1 x top 4 x side (90°)
Approach speed with angle of approach of 15°	0.00004 ... 1 m/s
Approach speed with angle of approach of 30°	0.00002 ... 0.5 m/s
Approach speed with angle of approach of 45°	0.00001 ... 0.3 m/s
Mechanical life time	20,000,000 actuation cycles, IEC 6047-5-1 switching cycles
Actuation frequency, max.	3,600 per hour, IEC 6047-5-1
Actuator	Plunger actuator
Actuation force, min.	11 N
Actuator mount	Without

Environmental data

Ambient temperature, operation	-25 ... 80 °C
Degree of contamination	3, EN 60947-1

Certifications

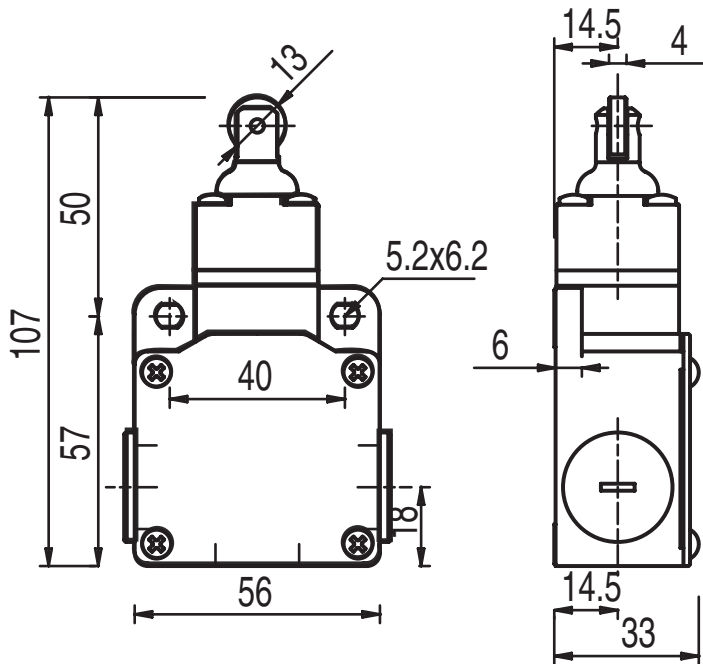
Degree of protection	IP 67
Certifications	c UL US IMQ

Classification

Customs tariff number	85369095
ECLASS 5.1.4	27272601
ECLASS 8.0	27272601
ECLASS 9.0	27272601
ECLASS 10.0	27272601
ECLASS 11.0	27272601
ECLASS 12.0	27272601
ECLASS 13.0	27272601
ECLASS 14.0	27272601
ETIM 5.0	EC000030
ETIM 6.0	EC000030
ETIM 7.0	EC000030
ETIM 8.0	EC000030
ETIM 9.0	EC000030

Dimensioned drawings

All dimensions in millimeters



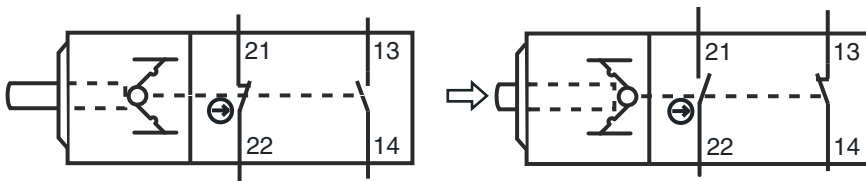
Electrical connection

Connection 1

Function	Contact connection
Type of connection	Terminal
Type of terminal	Screw terminal
No. of pins	4 -pin

Terminal	Assignment
21	NC
22	NC
13	NO
14	NO

Circuit diagrams



Notes



Observe intended use!



- ↪ The product may only be put into operation by competent persons.
- ↪ Only use the product in accordance with its intended use.