

Technical data sheet

Safety switch

Part no.: 63000200

S200-M3C1-M20

Contents

- Technical data
- Dimensioned drawings
- Electrical connection
- Circuit diagrams



For illustration purposes only



Technical data

Basic data

Series	S200
--------	------

Functions

Functions	Integration in control circuits up to category 4 in accordance with EN ISO 13849-1 Mechanically coded interlock device of type 2 acc. to EN ISO 14119
-----------	--

Characteristic parameters

SIL	3, IEC 61508
SILCL	3, IEC/EN 62061
Performance Level (PL)	Up to and including e, EN ISO 13849-1
Mission time T_M	20 years, EN ISO 13849-1
$B10_d$	2,000,000 number of cycles

Electrical data

Usage category at DC 13	U_e / I_e : 24 V / 6 A, 125 V / 1.1 A, 250 V / 0.4 A, EN 60947-5-1
Usage category at AC 15	U_e / I_e : 250 V / 6 A, 400 V / 4 A, 500 V / 1 A, EN 60947-5-1
Contact allocation	2NC
Contact opening	Force-fit
Short circuit protected	500 V, 10 A, type aM, IEC 60269-1
Contact protection	Earthing

Performance data

Rated insulation voltage	500 V AC, 600 V DC
Conventional thermal current, max.	10 A

Connection

Number of connections	1 Piece(s)
Number of cable entries	1 Piece(s)

Connection 1

Function	Contact connection
Type of connection	Terminal
Type of terminal	Screw terminal
No. of pins	4 -pin

Cable properties

Connection cross sections	1 x 0.34 mm ² to 2 x 1.5 mm ² , wire
---------------------------	--

Mechanical data

Design	Cubic
Dimension (W x H x L)	40 mm x 38 mm x 109.5 mm
Housing material	Metal
Metal housing	ZAMAK
Electrical contact material	Silver alloy
Net weight	292 g
Housing color	Gray Red
Type of fastening	Through-hole mounting
Type of cable entry	M20 x 1.5
Switch type	Interlock device without guard interlocking, ISO 14119
Switching principle	Slow-action contact
Approach actuation directions	1 x top 4 x side (90°)
Approach speed	0 ... 0.5 m/s
Mechanical life time	1,000,000 actuation cycles, IEC 6047-5-1
Actuation frequency, max.	3,600 per hour, IEC 6047-5-1
External actuator	AC-AHxx, series, straight, angled, resilient, alignable
Extraction force, unlocked actuator	10 N
Actuating path with forced separation	10.2 mm
Recoil tolerance	4.5 mm

Environmental data

Ambient temperature, operation	-25 ... 80 °C
Degree of contamination, external	3, EN 60947-1

Certifications

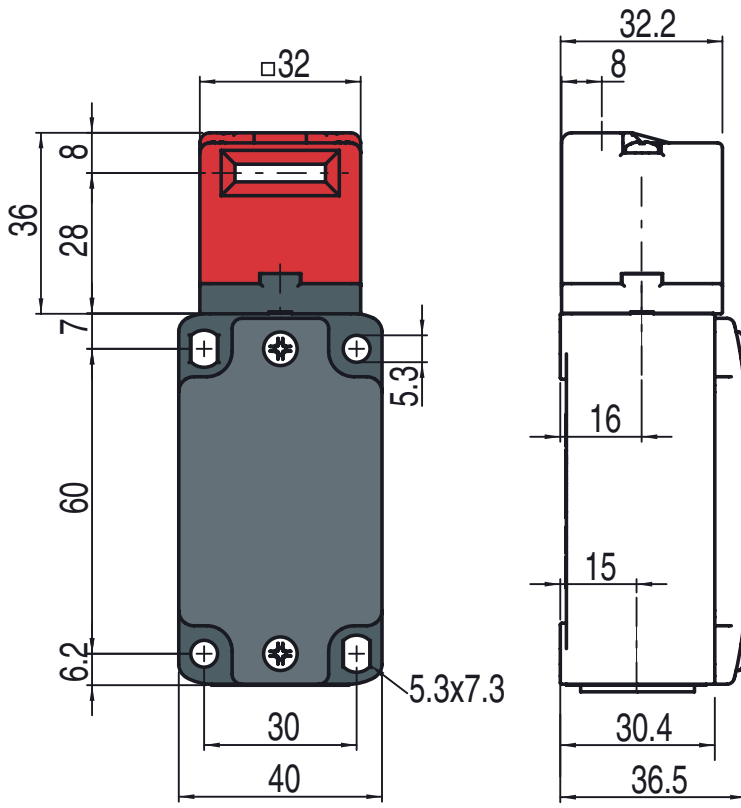
Degree of protection	IP 67
Approvals	c UL US IMQ

Classification

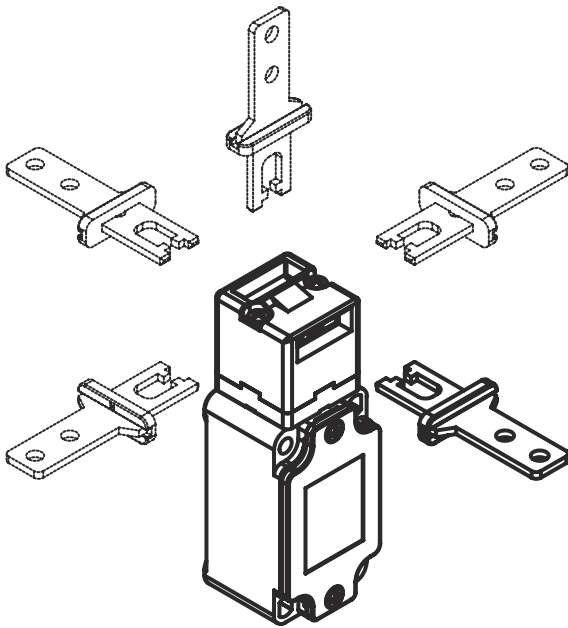
Customs tariff number	85369095
ECLASS 5.1.4	27272602
ECLASS 8.0	27272602
ECLASS 9.0	27272602
ECLASS 10.0	27272602
ECLASS 11.0	27272602
ECLASS 12.0	27272602
ECLASS 13.0	27272602
ECLASS 14.0	27272602
ECLASS 15.0	27272602
ETIM 5.0	EC002592
ETIM 6.0	EC002592
ETIM 7.0	EC002592
ETIM 8.0	EC002592
ETIM 9.0	EC002592
ETIM 10.0	EC002592

Dimensioned drawings

All dimensions in millimeters



Approach directions



Electrical connection

Connection 1

Function	Contact connection
Type of connection	Terminal
Type of terminal	Screw terminal
No. of pins	4 -pin

Terminal	Assignment
11	NC(1)
12	NC(1)
21	NC(2)
22	NC(2)

Circuit diagrams

