

Technical data sheet Mounting bracket set

Part no.: 429038

MLC-2PSF

Contents

- Technical data
- Dimensioned drawings



For illustration purposes only

Technical data

Basic data

| | |
|--------------|--|
| Contains | 2x mounting bracket |
| Suitable for | MLC 500, MLC 300 safety light curtains |

Mechanical data

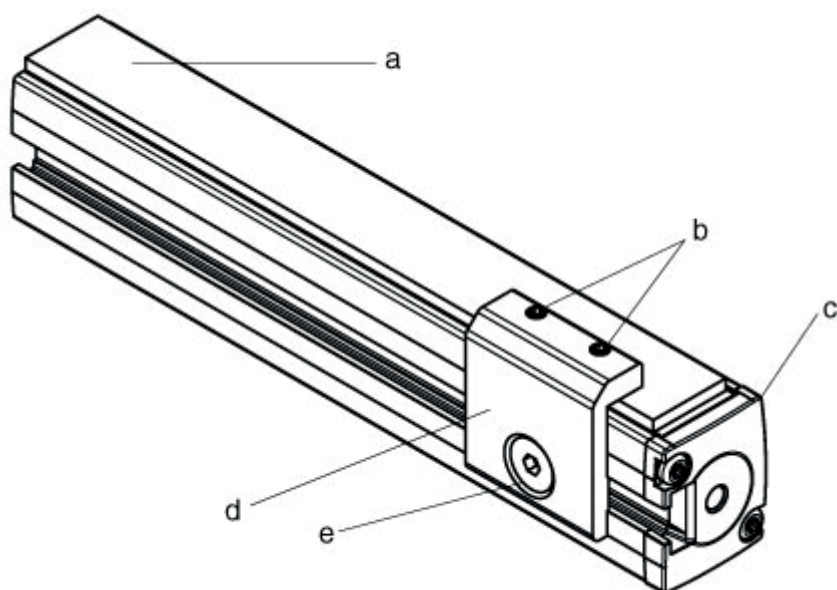
| | |
|--------------------------|-----------|
| Net weight | 240 g |
| Type of fastening | Clampable |
| Mounting device material | Metal |

Classification

| | |
|-----------------------|----------|
| Customs tariff number | 85389099 |
| ECLASS 5.1.4 | 27279290 |
| ECLASS 8.0 | 27279290 |
| ECLASS 9.0 | 27279090 |
| ECLASS 10.0 | 27273701 |
| ECLASS 11.0 | 27273701 |
| ECLASS 12.0 | 27273701 |
| ECLASS 13.0 | 27273701 |
| ECLASS 14.0 | 27273701 |
| ECLASS 15.0 | 27273701 |
| ECLASS 16.0 | 27273701 |
| ETIM 5.0 | EC002498 |
| ETIM 6.0 | EC003015 |
| ETIM 7.0 | EC003015 |
| ETIM 8.0 | EC003015 |
| ETIM 9.0 | EC003015 |
| ETIM 10.0 | EC003015 |
| UNSPSC 26.08 | 31242100 |

Dimensioned drawings

All dimensions in millimeters



- a Protective screen
- b M4 threaded pin
- c MLC transmitter or receiver
- d Mounting bracket
- e Countersunk screw M6 x 10 and slotted nut