

## Technical data sheet

### Alignment aid

Part no.: 50143109

BT ARH 46C.DL

#### Contents

- Technical data
- Dimensioned drawings

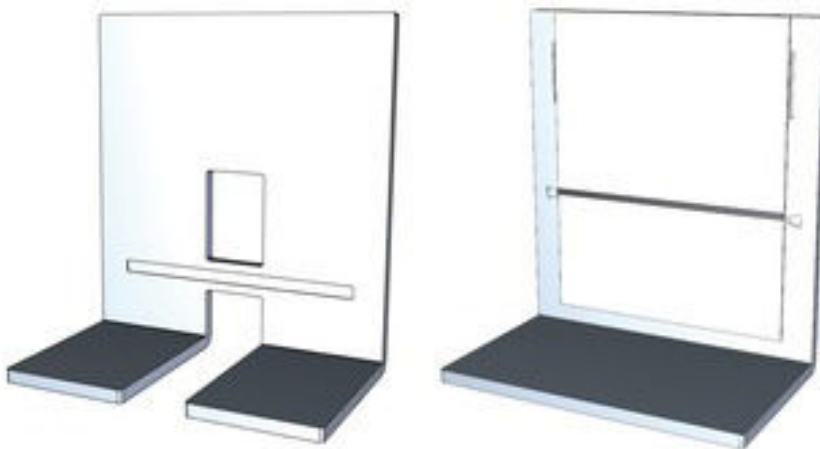


Figure can vary

## Technical data

### Basic data

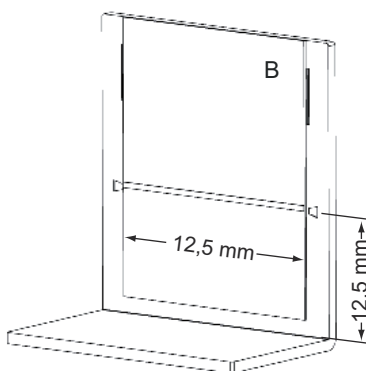
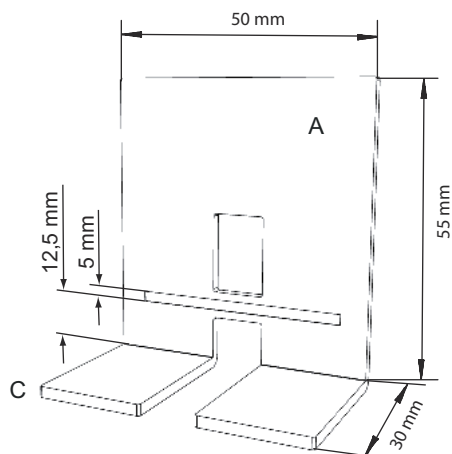
<b>Type</b>	Alignment aid for fast and reproducible alignment of RK46C.DL above the conveyor belt. For a reliable operation, the RK46C.DL should always be aligned with this alignment aid
<b>Suitable for</b>	RK46C.DL

### Classification

<b>Customs tariff number</b>	83024900
<b>ECLASS 5.1.4</b>	27279210
<b>ECLASS 8.0</b>	27279210
<b>ECLASS 9.0</b>	27273607
<b>ECLASS 10.0</b>	27273607
<b>ECLASS 11.0</b>	27273607
<b>ECLASS 12.0</b>	27273607
<b>ECLASS 13.0</b>	27273607
<b>ETIM 5.0</b>	EC002498
<b>ETIM 6.0</b>	EC003015
<b>ETIM 7.0</b>	EC003015
<b>ETIM 8.0</b>	EC003015

## Dimensioned drawings

All dimensions in millimeters



- A Alignment aid bracket, near
- B Alignment aid bracket, distant, with highly reflective film
- C Sheet metal thickness: 3 mm