

## Technical data sheet

### Y distribution box

Part no.: 50135994

YV U-SDD-25-25-25-X02

#### Contents

- Technical data
- Dimensioned drawings
- Electrical connection
- Circuit diagrams
- Accessories



Figure can vary



## Technical data

### Basic data

Order guide	Please observe the circuit diagram acc. to the data sheet
-------------	---

### Connection

Number of connections	3 Piece(s)
-----------------------	------------

#### Connection 1

Type of connection	Connector
--------------------	-----------

Thread size	M12
-------------	-----

Type	Female
------	--------

No. of pins	5 -pin
-------------	--------

Encoding	A-coded
----------	---------

Version	Axial
---------	-------

#### Connection 2

Type of connection	Connector
--------------------	-----------

Thread size	M12
-------------	-----

Type	Female
------	--------

No. of pins	5 -pin
-------------	--------

Encoding	A-coded
----------	---------

Version	Axial
---------	-------

#### Connection 3

Type of connection	Connector
--------------------	-----------

Thread size	M12
-------------	-----

Type	Male
------	------

No. of pins	5 -pin
-------------	--------

Encoding	A-coded
----------	---------

Version	Axial
---------	-------

#### Cable properties

Shielded	No
----------	----

### Mechanical data

Design	Cubic
--------	-------

Dimension (W x H x L)	36 mm x 16 mm
-----------------------	---------------

Width across flats	13 mm
--------------------	-------

Length	45 mm
--------	-------

Housing color	Black
---------------	-------

Material	PUR
----------	-----

### Environmental data

Ambient temperature, operation	-25 ... 85 °C
--------------------------------	---------------

### Certifications

Degree of protection	IP 67
----------------------	-------

### Classification

Customs tariff number	85366990
-----------------------	----------

ECLASS 5.1.4	27279201
--------------	----------

ECLASS 8.0	27440104
------------	----------

ECLASS 9.0	27069190
------------	----------

ECLASS 10.0	27440111
-------------	----------

ECLASS 11.0	27440111
-------------	----------

ECLASS 12.0	27440111
-------------	----------

ECLASS 13.0	27440111
-------------	----------

ETIM 5.0	EC002498
----------	----------

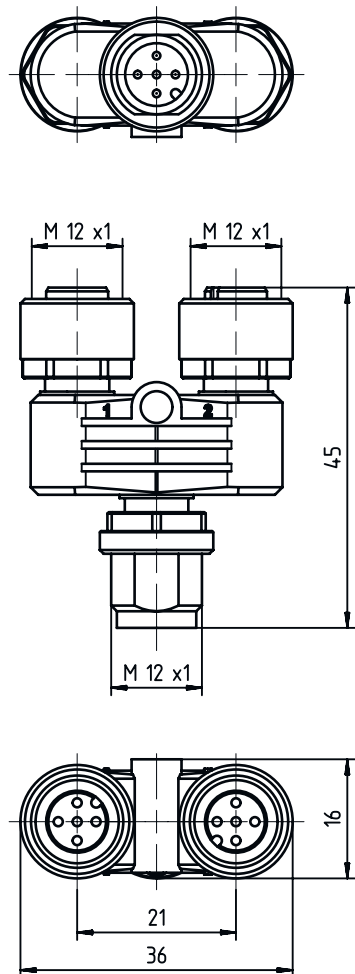
ETIM 6.0	EC002925
----------	----------

ETIM 7.0	EC002925
----------	----------

ETIM 8.0	EC003558
----------	----------

## Dimensioned drawings

All dimensions in millimeters



## Electrical connection

### Connection 1

Type of connection	Connector
Thread size	M12
Type	Female
No. of pins	5 -pin
Encoding	A-coded
Version	Axial

### Connection 2

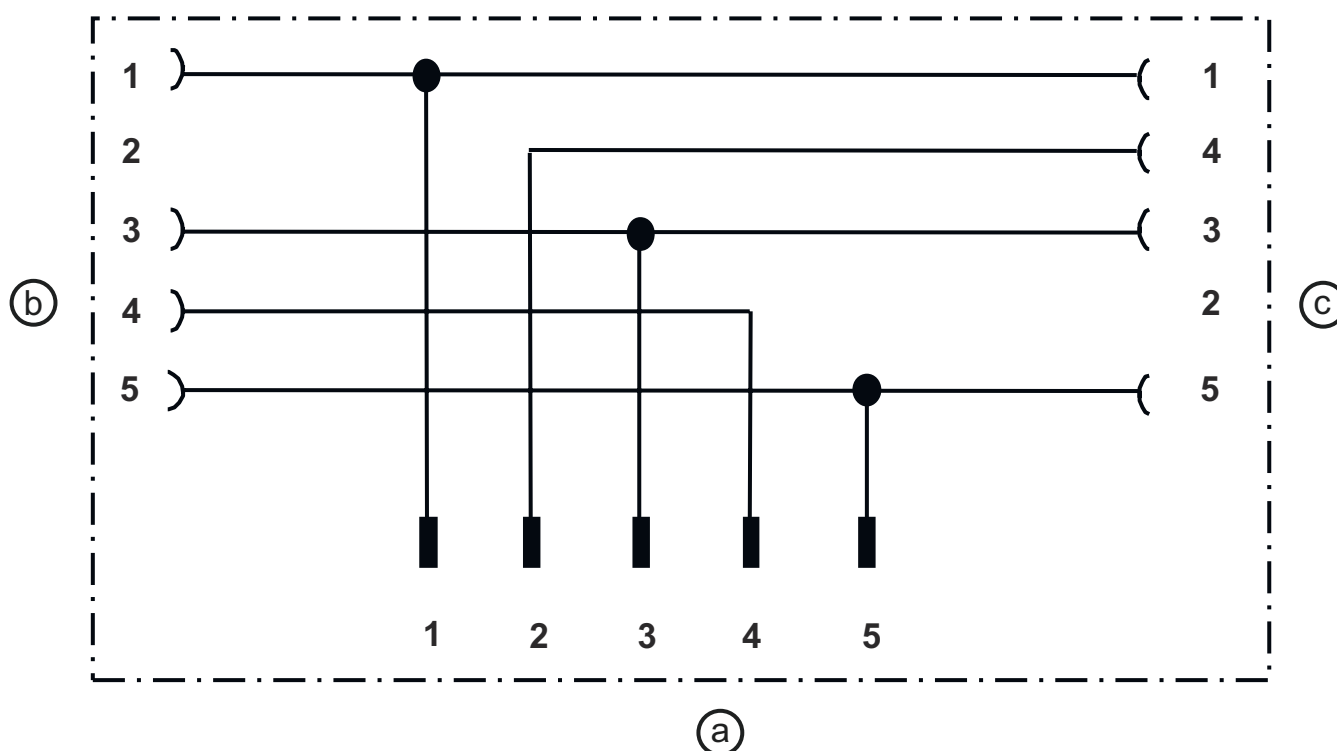
Type of connection	Connector
Thread size	M12
Type	Female
No. of pins	5 -pin
Encoding	A-coded
Version	Axial

# Electrical connection

## Connection 3

Type of connection	Connector
Thread size	M12
Type	Male
No. of pins	5-pin
Encoding	A-coded
Version	Axial

## Circuit diagrams



- a Connection 3, M12 connector
- b Connection 1, M12 socket
- c Connection 2, M12 socket

## Accessories

### General

	Part no.	Designation	Article	Description
	50132266	TT-Set 0,6-13	Tool	Type: Torque key Width across flats: 13 mm Torque: 0.6 N·m Material: Plastic, Stainless steel Ambient temperature: -40 ... 120 °C

## Accessories

### Note



🔗 A list with all available accessories can be found on the Leuze website in the Download tab of the article detailed page.