

Technical data sheet Mounting bracket set

Part no.: 540353

BT-SET-240CCS-E

Contents

- Technical data
- Dimensioned drawings



Figure can vary

Technical data

Basic data

Suitable for product group	Safety light curtains
Suitable for	MLD-M002, MLD-M003 deflecting mirror

Mechanical data

Type of fastening, at system	Through-hole mounting
Type of fastening, at device	Clampable
Type of mounting device	Shock absorber Turning, 240°
Mounting device material	Metal Plastic
Shock absorber	Yes

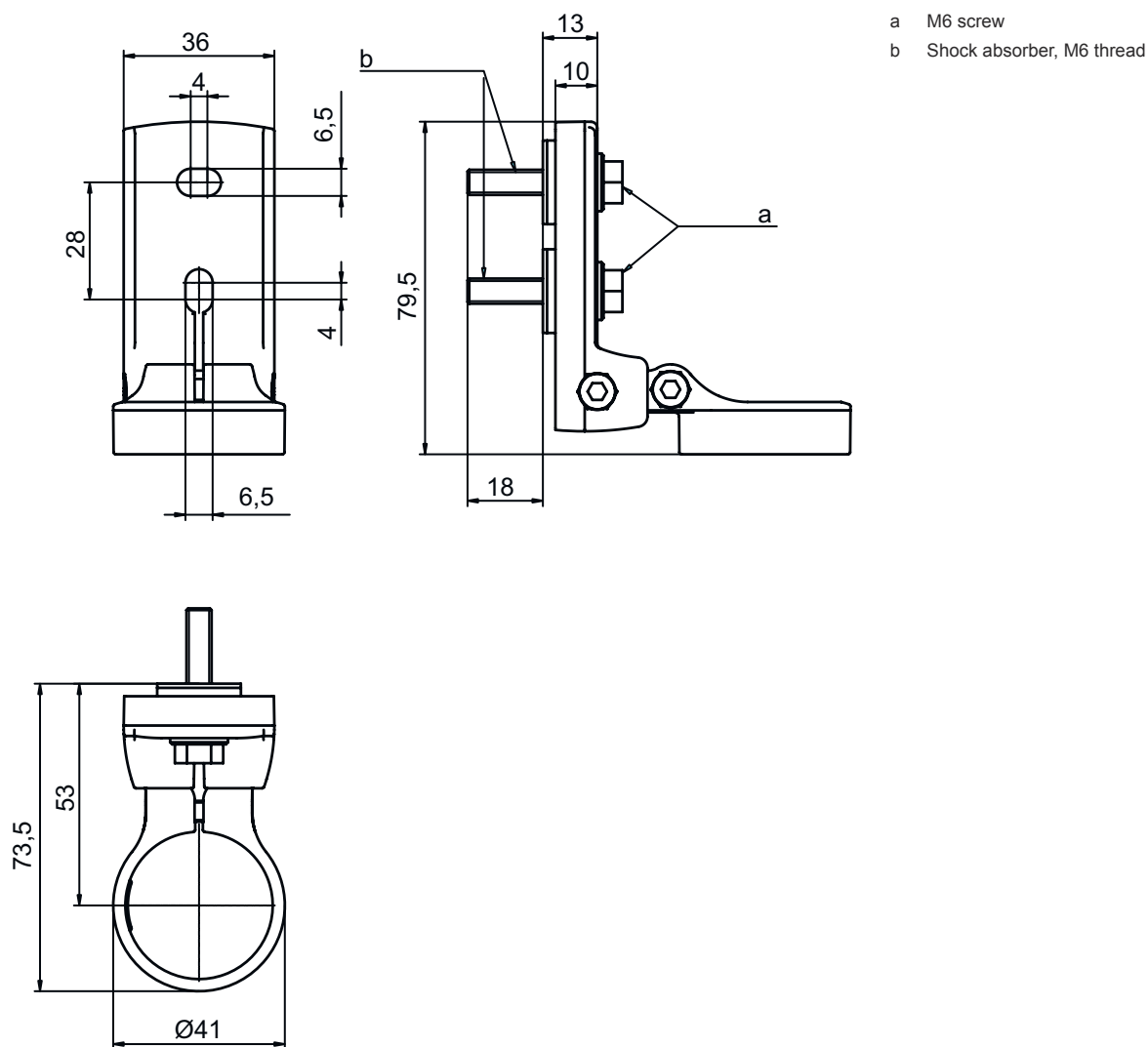
Classification

Customs tariff number	83024900
ECLASS 5.1.4	27279202
ECLASS 8.0	27279202
ECLASS 9.0	27273701
ECLASS 10.0	27273701
ECLASS 11.0	27273701
ECLASS 12.0	27273701
ECLASS 13.0	27273701
ETIM 5.0	EC002498
ETIM 6.0	EC003015
ETIM 7.0	EC003015
ETIM 8.0	EC003015

Dimensioned drawings

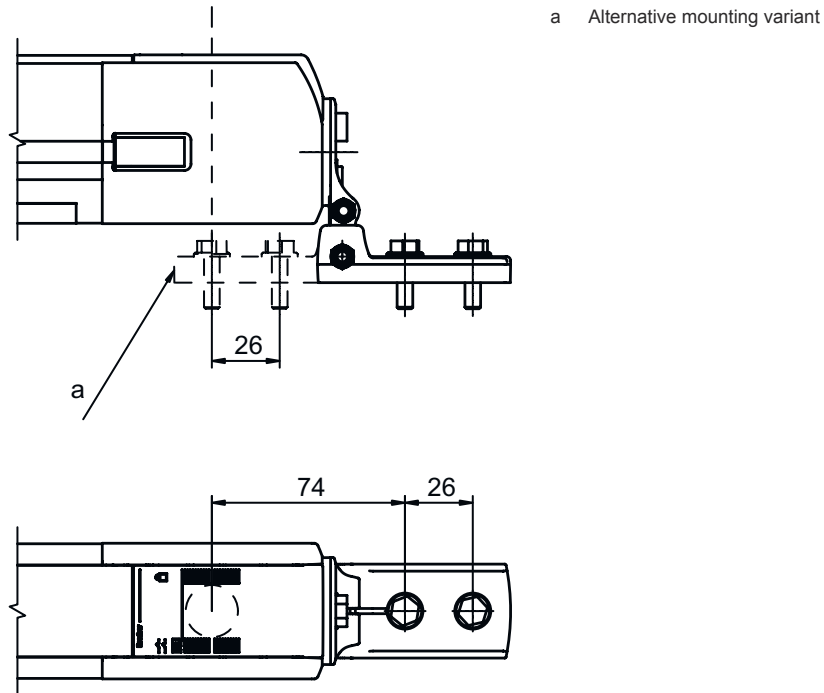
All dimensions in millimeters

BT-SET-240CS-E swivel mount



Dimensioned drawings

Mounting dimensions



Mounting variants

