

## Technical data sheet Acknowledgment unit

Part no.: 50145465

AC-ABF12

### Contents

- Technical data
- Dimensioned drawings
- Electrical connection



For illustration purposes only

## Technical data

### Functions

Functions	Overriding with AOPDs with muting function
-----------	--

### Electrical data

Contact allocation	2NO
Switching current via button	1 ... 1,000 mA
Current load, max.	10 A

#### Performance data

Rated insulation voltage	500 V AC/DC
--------------------------	-------------

### Connection

Number of connections	1 Piece(s)
-----------------------	------------

#### Connection 1

Type of connection	Connector
Thread size	M12
Type	Male
Material	Plastic
No. of pins	4 -pin

### Mechanical data

Dimension (W x H x L)	72 mm x 56 mm x 80 mm
Plastic housing	Glass fiber reinforced (PPS), self-extinguishing
Net weight	250 g
Housing color	Black Gray
Clamping plate material	Stainless steel

### Operation and display

Operational controls	1 command device
----------------------	------------------

### Environmental data

Ambient temperature, operation	-25 ... 80 °C
Ambient temperature, storage	-25 ... 80 °C

### Certifications

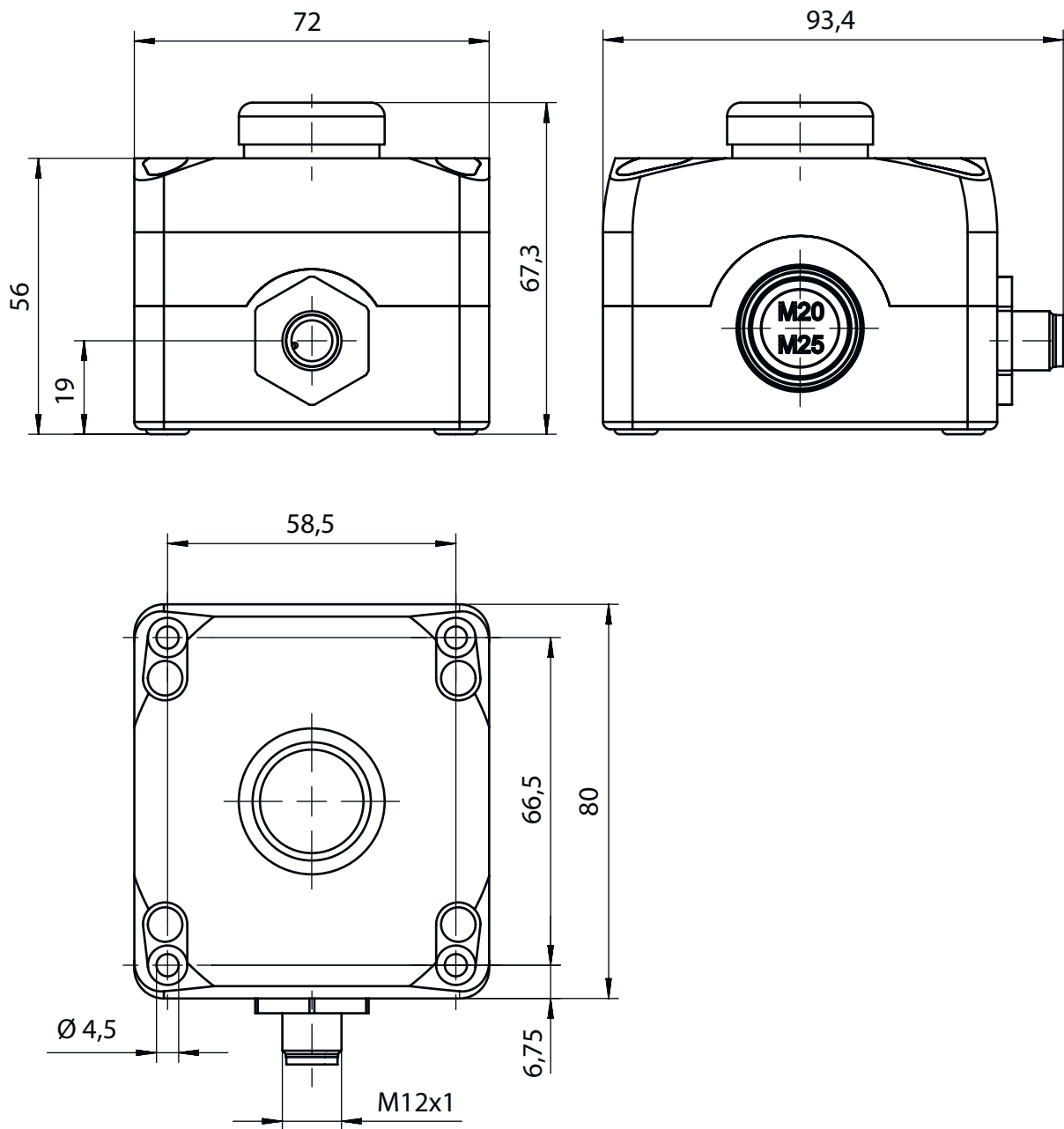
Degree of protection	IP 67 IP 69K
Protection class	III

### Classification

Customs tariff number	85369095
ECLASS 5.1.4	27279290
ECLASS 8.0	27279290
ECLASS 9.0	27279090
ECLASS 10.0	27371246
ECLASS 11.0	27371246
ECLASS 12.0	27371246
ECLASS 13.0	27371246
ECLASS 14.0	27371246
ECLASS 15.0	27371246
ECLASS 16.0	27371246
ETIM 5.0	EC002498
ETIM 6.0	EC003015
ETIM 7.0	EC003015
ETIM 8.0	EC003015
ETIM 9.0	EC003015
ETIM 10.0	EC003015
UNSPSC 26.08	39122216

## Dimensioned drawings

All dimensions in millimeters



## Electrical connection

### Connection 1

Type of connection	Connector
Thread size	M12
Type	Male
Material	Plastic
No. of pins	4 -pin

## Electrical connection

Pin	Pin assignment
1	NO(1)
2	NO(1)
3	NO(2)
4	NO(2)

