

Technical data sheet

Fiber optic amplifier

Part no.: 50151465

LV462C/42-150-M8

Contents

- Technical data
- Dimensioned drawings
- Electrical connection
- Notes
- Accessories



For illustration purposes only



Technical data

Basic data

| | |
|--------------|--|
| Series | 462C |
| Suitable for | Glass fiber optics Plastic fiber optics |

Optical data

| | |
|--------------------------|----------|
| Light source | LED, Red |
| Wavelength | 623 nm |
| Transmitted-signal shape | Pulsed |

Electrical data

| | |
|------------------------|---|
| Protective circuit | Polarity reversal protection Short circuit protected |
| Fiber optic connection | Clamp |

Performance data

| | |
|----------------------|------------------------|
| Supply voltage U_B | 12 ... 24 V, DC |
| Residual ripple | 0 ... 10 %, From U_B |
| Open-circuit current | 0 ... 50 mA |

Outputs

| | |
|-------------------------------------|------------|
| Number of digital switching outputs | 2 Piece(s) |
|-------------------------------------|------------|

Switching outputs

| | |
|-------------------------|---|
| Type | Digital switching output |
| Voltage type | DC |
| Switching current, max. | 100 mA |
| Switching voltage | high: $\geq(U_B - 2.5V)$ low: $\leq 2.5 V$ |

Switching output 1

| | |
|---------------------|-----------------------|
| Switching element | Transistor, PNP |
| Switching principle | Light/dark switchable |

Switching output 2

| | |
|---------------------|-----------------------|
| Switching element | Transistor, NPN |
| Switching principle | Light/dark switchable |

Time behavior

| | |
|-------------------------------|----------------------|
| Switching frequency PO1 - PO2 | 250 Hz |
| Switching frequency PO3 - PO5 | 1,500 Hz |
| Response time PO1 - PO2 | 2 ms |
| Response time PO3 - PO5 | 0.33 ms |
| Switch-on/-off delay | Switch-on/-off delay |
| Readiness delay | 500 ms |

Connection

| | |
|-----------------------|------------|
| Number of connections | 1 Piece(s) |
|-----------------------|------------|

Connection 1

| | |
|----------------------|------------------------------|
| Function | Signal OUT Voltage supply |
| Type of connection | Cable with connector |
| Cable length | 150 mm |
| Cable color | Black |
| Number of conductors | 4 -wire |
| Thread size | M8 |
| Type | Male |
| Material | Plastic |
| No. of pins | 4 -pin |

Mechanical data

| | |
|-----------------------|------------------------------|
| Design | Cubic |
| Dimension (W x H x L) | 10 mm x 33 mm x 79.4 mm |
| Housing material | Plastic |
| Plastic housing | ABS |
| Net weight | 30 g |
| Housing color | Black |
| Type of fastening | Via optional mounting device |

Operation and display

| | |
|-------------------------------------|--|
| Type of display | LED |
| Number of LEDs | 1 Piece(s) |
| Operational controls | Control buttons |
| Function of the operational control | Sensitivity adjustment Switching range adjustment |

Environmental data

| | |
|------------------------------------|---------------|
| Ambient temperature, operation | -10 ... 60 °C |
| Relative humidity (non-condensing) | 35 ... 85 % |

Certifications

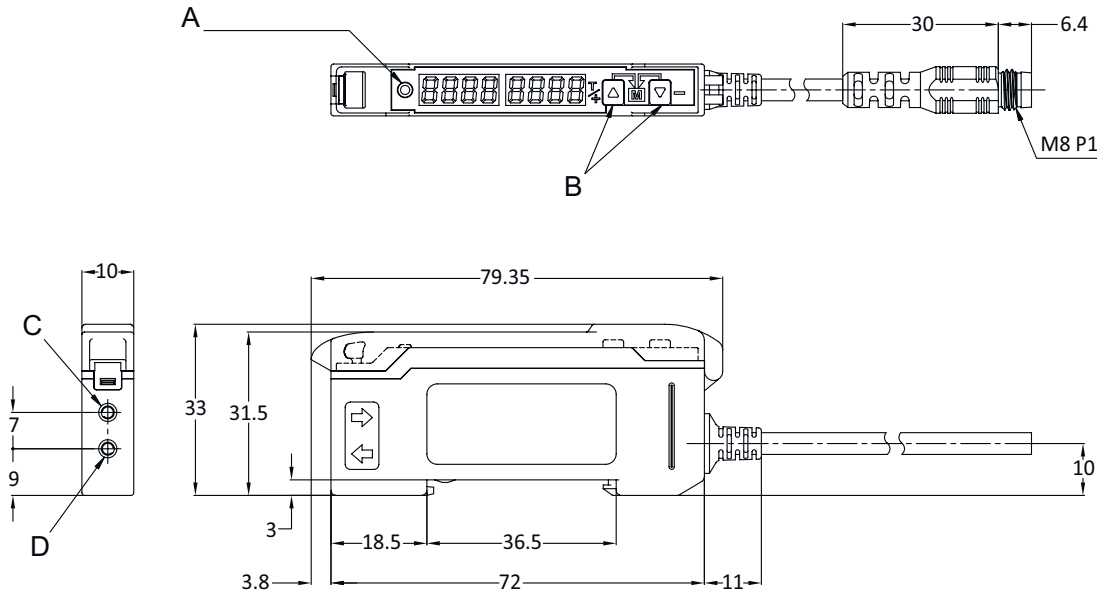
| | |
|----------------------|---------------|
| Degree of protection | IP 50 |
| Standards applied | IEC 60947-5-2 |

Classification

| | |
|-----------------------|----------|
| Customs tariff number | 85423390 |
| ECLASS 5.1.4 | 27270905 |
| ECLASS 8.0 | 27270905 |
| ECLASS 9.0 | 27270905 |
| ECLASS 10.0 | 27270905 |
| ECLASS 11.0 | 27270905 |
| ECLASS 12.0 | 27270905 |
| ECLASS 13.0 | 27270905 |
| ECLASS 14.0 | 27270905 |
| ECLASS 15.0 | 27270905 |
| ECLASS 16.0 | 27270905 |
| ETIM 5.0 | EC002651 |
| ETIM 6.0 | EC002651 |
| ETIM 7.0 | EC002651 |
| ETIM 8.0 | EC002651 |
| ETIM 9.0 | EC002651 |
| ETIM 10.0 | EC002651 |
| UNSPSC 26.08 | 41112103 |

Dimensioned drawings

All dimensions in millimeters



- A LED indicator
- B Sensitivity adjustment
- C Connection for fiber optics receiver
- D Connection for fiber optics transmitter

Electrical connection

Connection 1

| | |
|----------------------|----------------------|
| Function | Signal OUT |
| | Voltage supply |
| Type of connection | Cable with connector |
| Cable length | 150 mm |
| Cable color | Black |
| Number of conductors | 4 -wire |
| Thread size | M8 |
| Type | Male |
| Material | Plastic |
| No. of pins | 4 -pin |

| Pin | Pin assignment |
|-----|----------------|
| 1 | V+ |
| 2 | OUT 2 |
| 3 | GND |
| 4 | OUT 1 |



Notes

| | |
|------------------------------|---|
| Observe intended use! | |
| | <ul style="list-style-type: none"> ⌘ This product is not a safety sensor and is not intended as personnel protection. ⌘ The product may only be put into operation by competent persons. ⌘ Only use the product in accordance with its intended use. |

Accessories

Connection technology - Connection cables

| | Part no. | Designation | Article | Description |
|----------|----------|-------------------|------------------|---|
| | 50130850 | KD U-M8-4A-V1-050 | Connection cable | Application: Chemical resistant Connection 1: Connector, M8, Axial, Female, 4 -pin Connector, LED: No Connection 2: Open end Shielded: No Cable length: 5,000 mm Sheathing material: PVC |
| | 50130871 | KD U-M8-4W-V1-050 | Connection cable | Application: Chemical resistant Connection 1: Connector, M8, Angled, Female, 4 -pin Connector, LED: No Connection 2: Open end Shielded: No Cable length: 5,000 mm Sheathing material: PVC |

| Note | |
|------|---|
| | <ul style="list-style-type: none"> ⌘ A list with all available accessories can be found on the Leuze website in the Download tab of the article detailed page. |