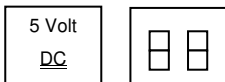


FIS 6170

DPM-Handheldscanner



- Hand-held scanner for 2D-Codes and Barcodes
- High Resolution for decoding of direct part marked Codes even with a shiny or round surface.
- Ergonomic design
- Robust trigger button
- Good read display with LED, Beep and Vibration
- RS 232 or USB - Interface
- Include USB-cable
- Operating temperature 0 - 50 °C

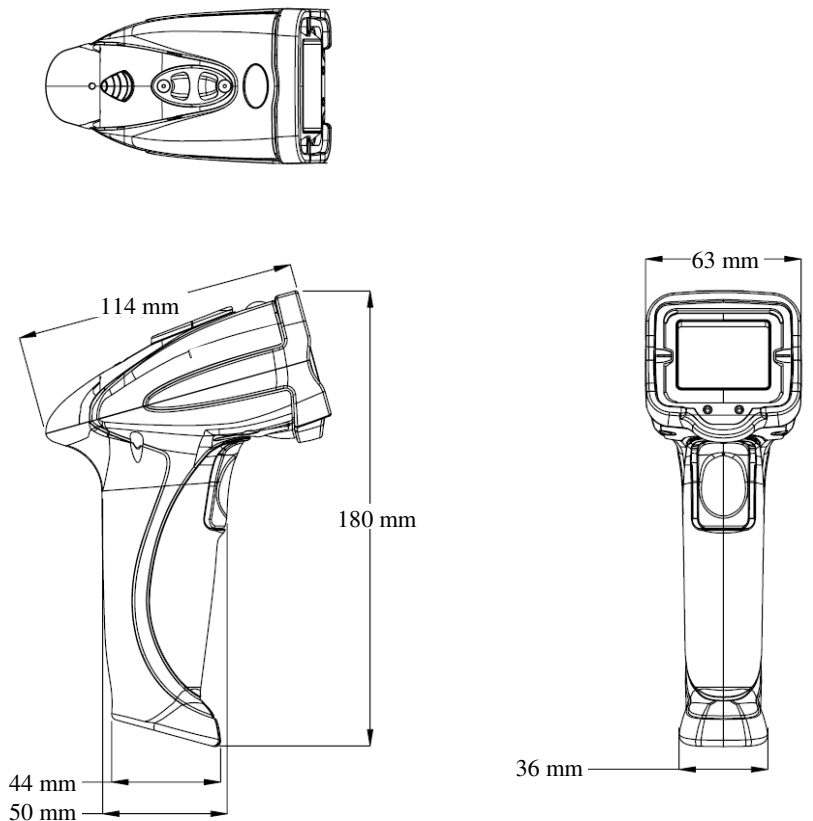


Accessories FIS 6170

Available separatly

- **RS232-cable – Power on Pin9**
Part-Nr. 50115069
- **RS232-cable with power supply**
(100-240V)
Part-Nr. 50115070

Dimensioned drawing



Electrical Connection

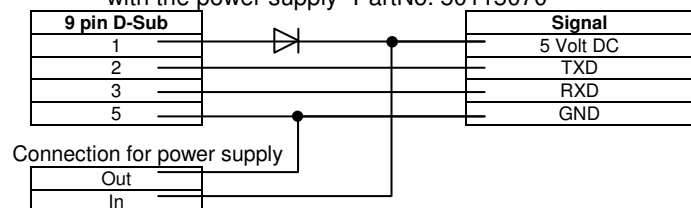
- USB-cable – comes together with the FIS6170 in one box
Part-No.50115068

USB Type A	Signal
1	5 Volt DC
2	D-
3	D+
4	GND

- RS 232-cable – Power on Pin 9
Part-No. 50115069

9 pin D-Sub	Signal
2	TXD
3	RXD
5	GND
9	5 Volt DC

- RS 232-cable with connection for power supply in one Set
with the power supply- PartNo. 50115070



subject to change without notice

Technical Data

Elektrical Data

Operating voltage 5 Volt DC
 Power consumption max. 2,5 W

Interfaces

Interface type RS-232 and USB
 Trigger with button

Codetypes

Barcode 2/5 Interleaved, Code 39, Code 128, Code 93, Codabar, UPC/EAN, Pharmacode, BC 412, GS1 Databar
 2D-Code Data Matrix Codes ECC 0 – 200; Aztec; PDF 417; MicroPDF; QR Code

Optical Data

Optical System CMOS Imager 1280x1024
 Contrast 20% (Schwarz/weiß Differenz)
 Light source integrated LED-Dome light with 640 nm and/or 470 nm and integrated LED-Darkfield light with 640 nm
 Reading distance 0 - 51 mm

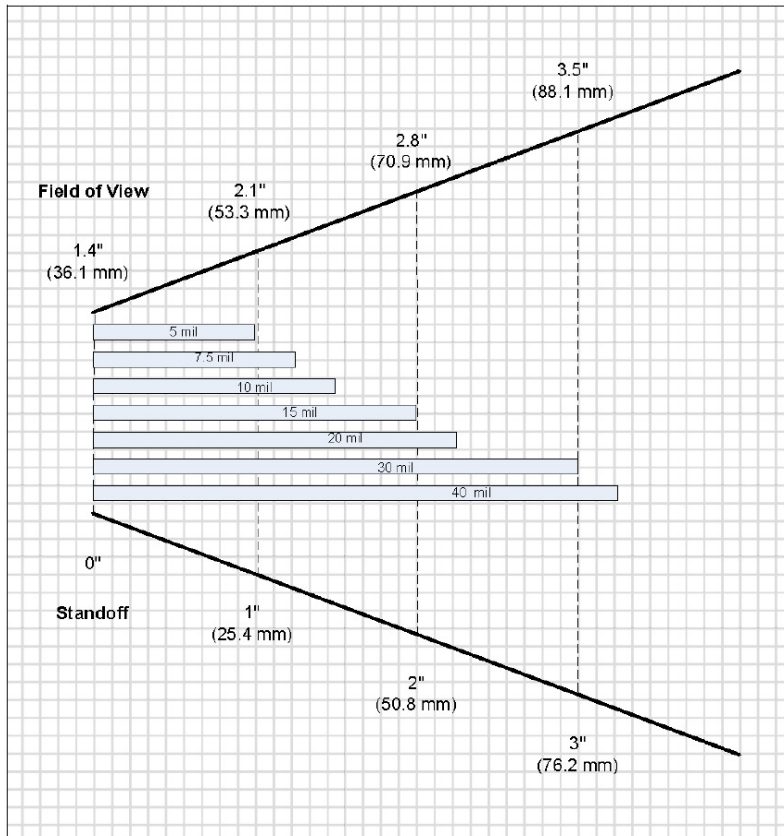
Mechanical Data

Weight 204 g (without cable)
 Dimensions 180 x 63 x 114 mm

Environmental data

Temperature (Operating) 0 ... 50 °C
 Temperature (Lagerung) -20 ... 65 °C
 Relative air humidity 5 ... 95% (non-condensing)
 Shock resistance withstands 50 falls from a height of 1,8 Meter to concrete

Reading field



Hinweise

Ergonomically designed 2D-Code Hand-held scanner with integrated Decoder für direct-marked Codes (DPM). High Resolution for decoding of direct part marked Codes even with a shiny or round surface.

Data transmission (Keyboard-emulation) over USB-Interface or serial Communication over RS 232 and USB-Interface.

For a functional unit, a hand held scanner and corresponding as well as a power-supply must be ordered.

Order guide

DPM-Handscanner FIS 6170-0102G with USB-cable Partnumber 50115068

subject to change without notice