

Technical data sheet

Tower light

Part no.: 50149103

TL305-ROG-M12

Contents

- Technical data
- Dimensioned drawings
- Electrical connection
- Accessories



For illustration purposes only



Technical data

Basic data

| | |
|-------------------|-----------------------------------|
| Series | TL 305 |
| Contains | 1x M30 nut 1x rubber flat seal |
| Type of signaling | Optical |

Electrical data

Performance data

| | |
|---------------------------|----------|
| Supply voltage U_B | 24 V, DC |
| Current consumption, max. | 140 mA |

Inputs

| | |
|------------------------------------|------------|
| Number of digital switching inputs | 3 Piece(s) |
|------------------------------------|------------|

Switching inputs

| | |
|------------------------------|-------------------------|
| Type | Digital switching input |
| Switching voltage high, min. | 24 V |
| Switching voltage low, max. | 0 V |
| Voltage type | DC |

Digital switching input 1

| | |
|------------|--|
| Assignment | Connection 1, pin 1 |
| Function | Light color (red) through actuation of pin |

Digital switching input 2

| | |
|------------|--|
| Assignment | Connection 1, pin 4 |
| Function | Light color (green) through actuation of pin |

Digital switching input 3

| | |
|------------|---|
| Assignment | Connection 1, pin 5 |
| Function | Light color (orange) through actuation of pin |

Connection

| | |
|-----------------------|------------|
| Number of connections | 1 Piece(s) |
|-----------------------|------------|

Connection 1

| | |
|--------------------|--|
| Function | Light color via control of pins Signal IN Voltage supply |
| Type of connection | Connector |
| Thread size | M12 |
| Type | Male |
| Material | Metal |
| No. of pins | 5 -pin |
| Encoding | A-coded |

Mechanical data

| | |
|-------------------------------------|------------------------|
| Design | Cylindrical |
| Dimension (\varnothing x L) | 50.6 mm x 165 mm |
| Thread size | M30 x 1.5 mm |
| Housing material | Metal |
| Metal housing | Aluminium, anodized |
| Light area material | Plastic, Polycarbonate |
| Net weight | 270 g |
| Housing color | Gray |
| Type of illuminant | LED/24V |
| Lens modules | 3 pieces, ready-made |
| Signal image | Continuous light |
| Angle of radiation | 360° |
| Sequence of the modules (ascending) | Green, orange, red |

Environmental data

| | |
|--------------------------------|-------------|
| Ambient temperature, operation | 0 ... 50 °C |
| Ambient temperature, storage | 0 ... 50 °C |

Certifications

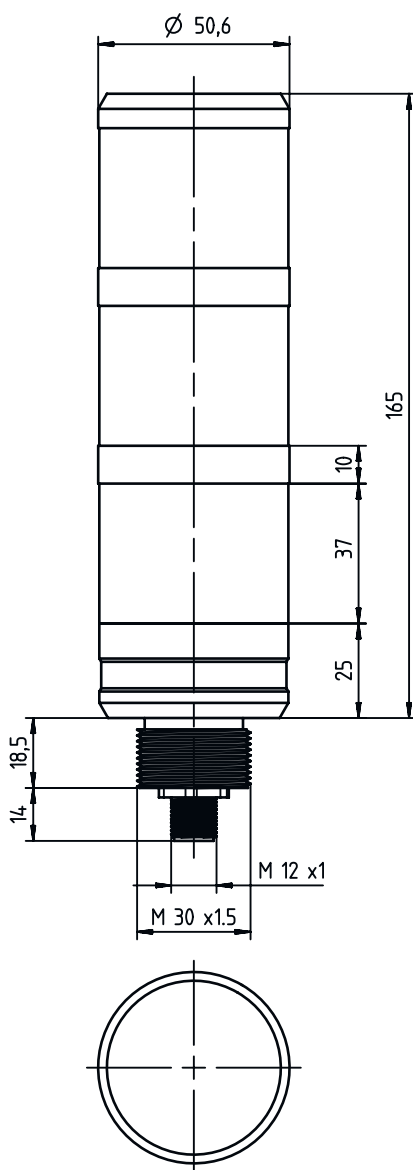
| | |
|----------------------|-------|
| Degree of protection | IP 65 |
| Protection class | III |
| Approvals | UL |

Classification

| | |
|--------------|----------|
| ECLASS 5.1.4 | 27371230 |
| ECLASS 8.0 | 27371230 |
| ECLASS 9.0 | 27371230 |
| ECLASS 10.0 | 27371230 |
| ECLASS 11.0 | 27371230 |
| ECLASS 12.0 | 27371230 |
| ECLASS 13.0 | 27371230 |
| ECLASS 14.0 | 27371230 |
| ECLASS 15.0 | 27371230 |
| ECLASS 16.0 | 27371230 |
| ETIM 5.0 | EC001042 |
| ETIM 6.0 | EC001042 |
| ETIM 7.0 | EC001042 |
| ETIM 8.0 | EC001042 |
| ETIM 9.0 | EC001042 |
| ETIM 10.0 | EC001042 |
| UNSPSC 26.08 | 39111714 |

Dimensioned drawings

All dimensions in millimeters



Electrical connection

Connection 1

| | |
|--------------------|---------------------------------|
| Function | Light color via control of pins |
| | Signal IN |
| | Voltage supply |
| Type of connection | Connector |
| Thread size | M12 |
| Type | Male |
| Material | Metal |
| No. of pins | 5 -pin |
| Encoding | A-coded |

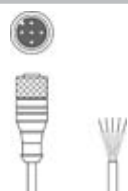
Electrical connection

| Pin | Pin assignment | Conductor color |
|-----|----------------|-----------------|
| 1 | Red LED | Brown |
| 2 | n.c. | White |
| 3 | GND | Blue |
| 4 | Green LED | Black |
| 5 | Orange LED | Gray |




Accessories




Connection technology - Connection cables

| | Part no. | Designation | Article | Description |
|--|----------|--------------------|------------------|--|
|  | 50132079 | KD U-M12-5A-V1-050 | Connection cable | Application: Chemical resistant Connection 1: Connector, M12, Axial, Female, A-coded, 5 -pin Connector, LED: No Connection 2: Open end Shielded: No Cable length: 5,000 mm Sheathing material: PVC |

Connection technology - Interconnection cables

| | Part no. | Designation | Article | Description |
|--|----------|----------------------------|-----------------------|--|
|  | 50133298 | KDS U-M12-5A-M12-5A-V1-050 | Interconnection cable | Application: Chemical resistant Connection 1: Connector, M12, Axial, Female, A-coded, 5 -pin Connection 2: Connector, M12, Axial, Male, A-coded, 5 -pin Shielded: No Cable length: 5,000 mm Sheathing material: PVC |

Mounting

| | Part no. | Designation | Article | Description |
|---|----------|-----------------|---------------------|--|
|  | 50149110 | TL305-AC.EP.100 | Tower light element | Design: Cylindrical Version: Extension pipe Fastening, at system: Screw type |
|  | 50149111 | TL305-AC.MB1 | Tower light element | Design: L shape Version: Angle, L-shape Fastening, at system: Screw type |
|  | 50149109 | TL305-AC.MF.65 | Tower light element | Design: Cylindrical Version: Mounting base Fastening, at system: Screw type |

Accessories

Note



A list with all available accessories can be found on the Leuze website in the Download tab of the article detailed page.