

Technical data sheet

Fiber optic amplifier

Part no.: 50145467

LV462B/24

Contents

- Technical data
- Dimensioned drawings
- Electrical connection
- Notes



Figure can vary



Technical data

Basic data

Series	462B
Suitable for	Glass fiber optics Plastic fiber optics

Optical data

Light source	LED, Red
LED light wavelength	660 nm
Transmitted-signal shape	Pulsed

Electrical data

Protective circuit	Polarity reversal protection Short circuit protected
Fiber optic connection	Clamp

Performance data

Supply voltage U_B	12 ... 24 V, DC
Residual ripple	0 ... 30 %, From U_B
Open-circuit current	0 ... 40 mA

Outputs

Number of digital switching outputs	2 Piece(s)
-------------------------------------	------------

Switching outputs

Type	Digital switching output
Voltage type	DC
Switching current, max.	100 mA
Switching voltage	high: $\geq(U_B - 2.5V)$ low: $\leq 2.5V$

Switching output 1

Switching element	Transistor, NPN
Switching principle	Light/dark reversible

Switching output 2

Switching element	Transistor, PNP
Switching principle	Light/dark reversible

Timing

Switching frequency	1,500 Hz
Response time	0.33 ms
Switch-on/-off delay	Switch-on/-off delay
Readiness delay	500 ms
Wiping contact	Wiping contact

Connection

Number of connections	1 Piece(s)
-----------------------	------------

Connection 1

Function	Signal OUT Voltage supply
Type of connection	Cable
Cable length	2,000 mm
Cable color	Black
Number of conductors	4 -wire

Mechanical data

Design	Cubic
Dimension (W x H x L)	10 mm x 33 mm x 79.4 mm
Housing material	Plastic
Plastic housing	ABS
Net weight	65 g
Housing color	Black
Type of fastening	Via optional mounting device

Operation and display

Type of display	LED
Number of LEDs	1 Piece(s)
Operational controls	Control buttons
Function of the operational control	Sensitivity adjustment Switching range adjustment

Environmental data

Ambient temperature, operation	-10 ... 60 °C
Relative humidity (non-condensing)	35 ... 85 %

Certifications

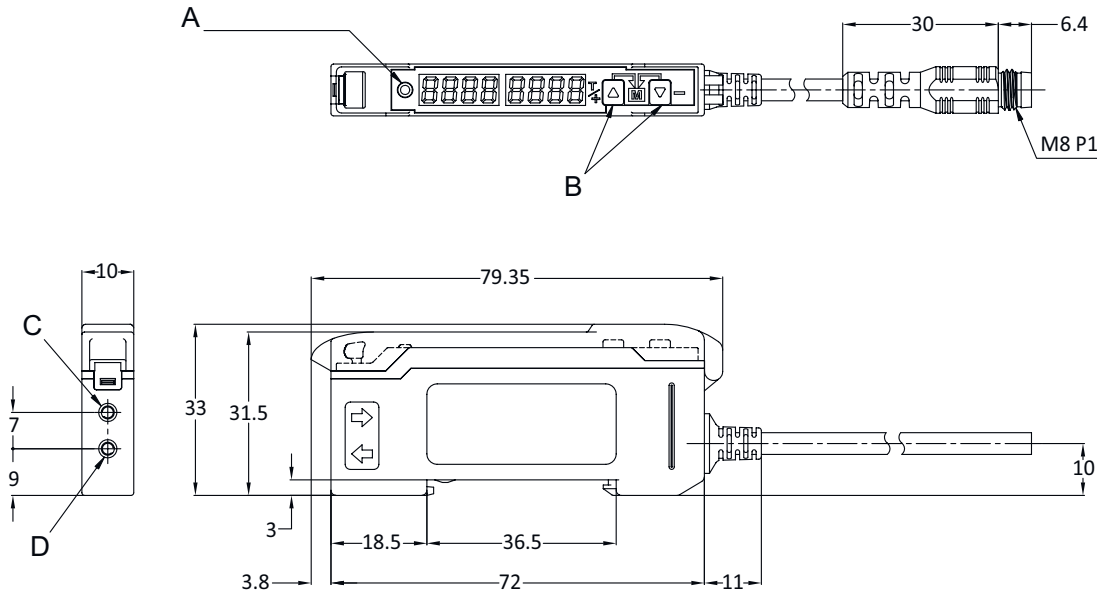
Degree of protection	IP 50
Standards applied	IEC 60947-5-2

Classification

Customs tariff number	85423390
eCl@ss 5.1.4	27270905
eCl@ss 8.0	27270905
eCl@ss 9.0	27270905
eCl@ss 10.0	27270905
eCl@ss 11.0	27270905
ETIM 5.0	EC002651
ETIM 6.0	EC002651
ETIM 7.0	EC002651

Dimensioned drawings

All dimensions in millimeters



- A LED indicator
- B Sensitivity adjustment
- C Connection for fiber optics receiver
- D Connection for fiber optics transmitter

Electrical connection

Connection 1

Function	Signal OUT
	Voltage supply
Type of connection	Cable
Cable length	2,000 mm
Cable color	Black
Number of conductors	4 -wire

Conductor color

Conductor assignment

Brown	V+
Black	OUT 1
White	OUT 2
Blue	GND

Notes



Observe intended use!



- ⚠ This product is not a safety sensor and is not intended as personnel protection.
- ⚠ The product may only be put into operation by competent persons.
- ⚠ Only use the product in accordance with its intended use.