

Technical data sheet Optical guidance sensor

Part no.: 50137472

OGS 600-280/CN-M12



Contents

- Technical data
- Dimensioned drawings
- Electrical connection
- Diagrams
- Notes
- Accessories



CANopen **RS232**



Technical data

Basic data

Series	OGS 600
Application	Optical guidance
Trace types	Dark trace on light background
	Light trace on dark background
	Retro-reflective trace

Optical data

Working range	10 ... 70 mm
Light source	LED, Red
LED light wavelength	634 nm
Transmitted-signal shape	Pulsed
Detection width for complete trace	265 mm

Measurement data

Measurement value resolution	1 mm, Working distance 35 mm
Linearity error	0 ... 5 mm, Working distance 35 mm
Output value for edges	170 ... 2,830
Maximum output value	0 ... 3,000

Electrical data

Protective circuit	Polarity reversal protection
	Short circuit protected

Performance data

Supply voltage U_B	18 ... 30 V, DC
Average power consumption	4 W

Outputs

Number of digital switching outputs	1 Piece(s)
-------------------------------------	------------

Switching outputs

Type	Digital switching output
Voltage type	DC
Switching current, max.	100 mA
Switching voltage	high: $\geq(U_B - 2V)$
	Low: $\leq 2V$

Switching output 1

Switching element	Transistor, PNP
Switching principle	Trace monitoring / contrast monitoring, adjustable

Timing

Cycle time	10 ms
------------	-------

Interface

Type	CANopen
CANopen	
Function	Process
Transmission speed	10 ... 1,000 kBit/s

Service interface

Type	RS 232
RS 232	
Transmission speed	115,200 bit/s

Connection

Number of connections	2 Piece(s)
-----------------------	------------

Connection 1

Function	Data interface
Type of connection	Connector
Thread size	M12
Type	Female
Material	Metal
No. of pins	5 -pin
Encoding	A-coded

Connection 2

Function	Service interface
	Signal OUT
	Voltage supply
Type of connection	Connector
Thread size	M12
Type	Male
Material	Metal
No. of pins	5 -pin
Encoding	A-coded

Mechanical data

Design	Cubic
Dimension (W x H x L)	34.5 mm x 47.5 mm x 360 mm
Metal housing	Aluminum
Lens cover material	Plastic
Net weight	405 g
Housing color	Red
Type of fastening	Supplied mounting bracket

Operation and display

Type of configuration	Software
-----------------------	----------

Environmental data

Ambient temperature, operation	-15 ... 50 °C
Ambient temperature, storage	-30 ... 60 °C

Certifications

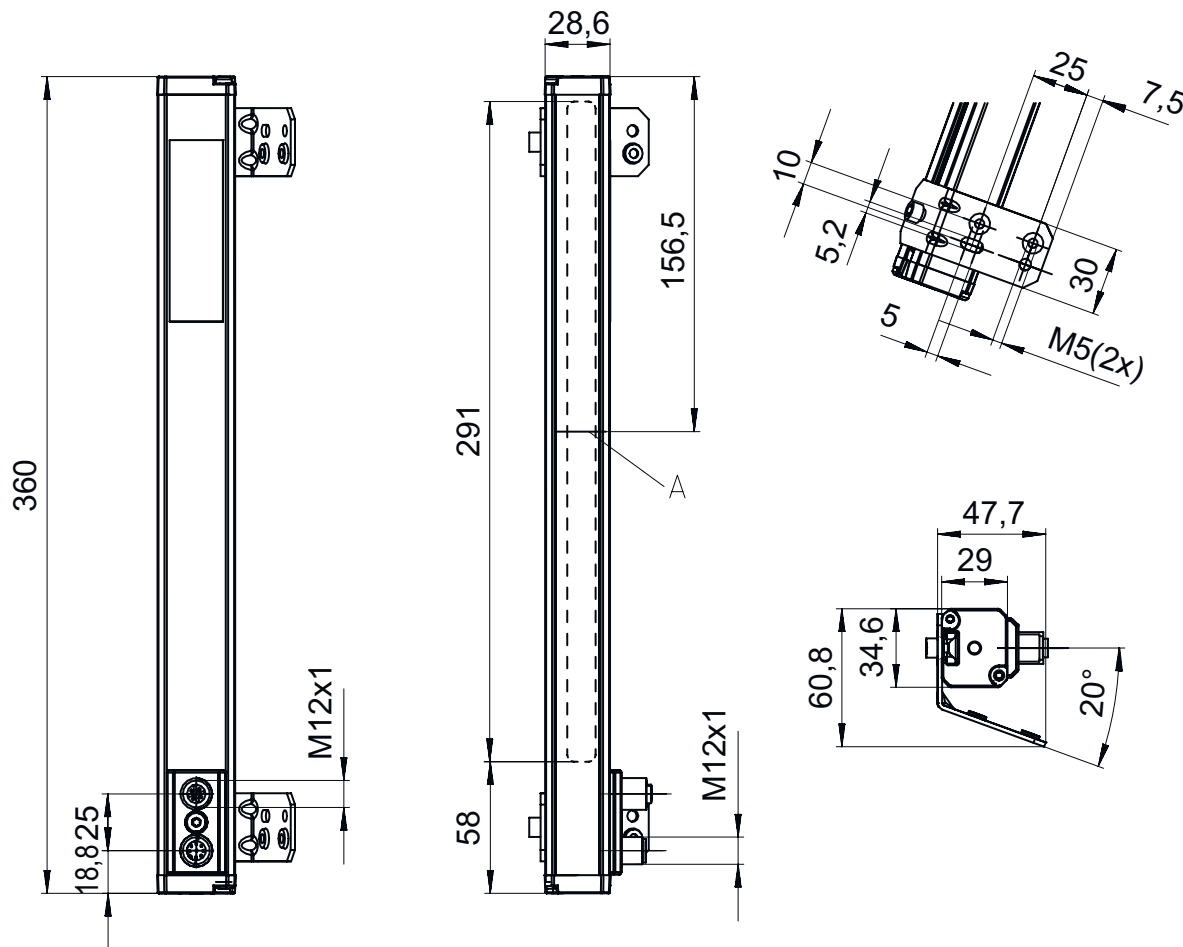
Degree of protection	IP 65
Protection class	III
Certifications	c UL US
Standards applied	EN 60947-5-2:2007+A1:2012

Classification

Customs tariff number	85365019
eCl@ss 5.1.4	27270906
eCl@ss 8.0	27270906
eCl@ss 9.0	27270906
eCl@ss 10.0	27270906
eCl@ss 11.0	27270906
ETIM 5.0	EC001820
ETIM 6.0	EC001820
ETIM 7.0	EC001820

Dimensioned drawings

All dimensions in millimeters



A Integrated illumination

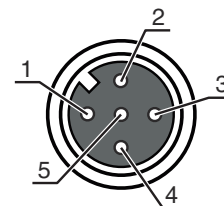
Electrical connection

Connection 1

Function	Data interface
Type of connection	Connector
Thread size	M12
Type	Female
Material	Metal
No. of pins	5 -pin
Encoding	A-coded

Pin Pin assignment

1	CAN Shield
2	n.c.
3	CAN GND
4	CAN H
5	CAN L

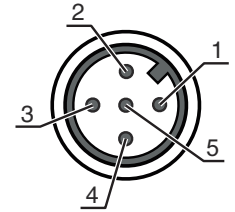


Electrical connection

Connection 2

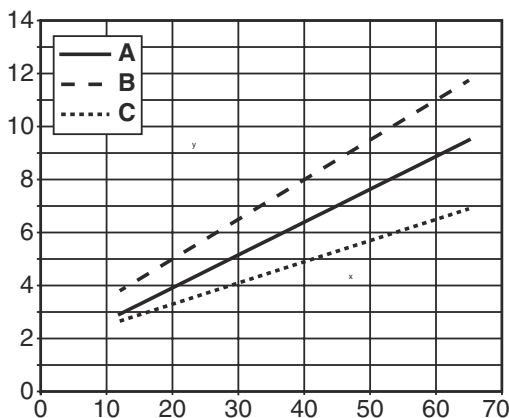
Function	Service interface
	Signal OUT
	Voltage supply
Type of connection	Connector
Thread size	M12
Type	Male
Material	Metal
No. of pins	5 -pin
Encoding	A-coded

Pin	Pin assignment
1	V+
2	RxD RS232
3	GND
4	OUT 1
5	TxD RS 232



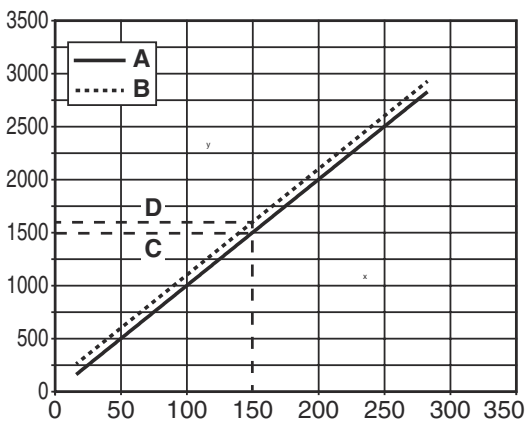
Diagrams

Typical value of characteristic curve: linearity error



- x Floor-sensor distance [mm]
- y Linearity error [mm]
- A Typical value
- B max.
- C min.

Sensor characteristic curve with one trace



- x Position of the trace's left edge below the sensor [mm]
- y Edge position
- A Measurement value of left edge
- B Measurement value of right edge
- C Position of left edge
- D Position of right edge

Notes

Observe intended use!	
	<ul style="list-style-type: none"> ⌘ This product is not a safety sensor and is not intended as personnel protection. ⌘ The product may only be put into operation by competent persons. ⌘ Only use the product in accordance with its intended use.

For UL applications:	
	<ul style="list-style-type: none"> ⌘ For UL applications, use is only permitted in Class 2 circuits in accordance with the NEC (National Electric Code). ⌘ Max. ambient temperature: 50°C ⌘ "Only for use in NFPA 79 applications" ⌘ "Only suitable for indoors"

Accessories

Connection technology - Connection cables

	Part no.	Designation	Article	Description
	50114692	KB DN/CAN-2000 BA	Connection cable	Suitable for interface: DeviceNet, CANopen Connection 1: Connector, M12, Axial, Female, A-coded, 5 -pin Connection 2: Open end Shielded: Yes Cable length: 2,000 mm Sheathing material: PUR
	50114693	KB DN/CAN-2000 SA	Connection cable	Suitable for interface: DeviceNet, CANopen Connection 1: Connector, M12, Axial, Male, A-coded, 5 -pin Connection 2: Open end Shielded: Yes Cable length: 2,000 mm Sheathing material: PUR

Note	
	<ul style="list-style-type: none"> ⌘ A list with all available accessories can be found on the Leuze website in the Download tab of the article detailed page.