

## Technical data sheet

### Reflector

Part no.: 50000071

HTK 82-24V

#### Contents

- Technical data
- Dimensioned drawings
- Electrical connection



For illustration purposes only

## Technical data

### Special version

Special version	Heating
-----------------	---------

### Electrical data

#### Performance data

Supply voltage $U_B$	24 ... 24 V, AC/DC
Power consumption, max.	2.8 W

### Connection

#### Connection 1

Function	Voltage supply
Type of connection	Cable
Cable length	5,000 mm
Sheathing material	PVC
Cable color	Black
Number of conductors	2 -wire

### Mechanical data

Design	Round
Mounting dimension, thickness	21 mm
Mounting dimension, diameter	93 mm
Reflective surface, diameter	78 mm
Reflector material	Plastic
Material of base material	Plastic
Chemical designation, reflector material	PMMA8N
Structure, active surface	Triple
Net weight	364 g
Type of fastening	Through-hole mounting

### Environmental data

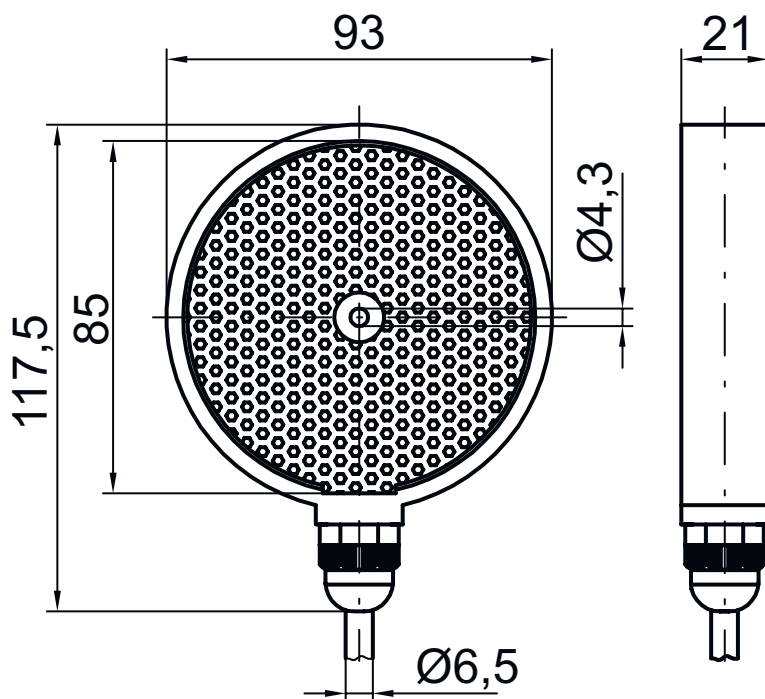
Ambient temperature, operation	-40 ... 70 °C
--------------------------------	---------------

### Classification

Customs tariff number	39269097
ECLASS 5.1.4	27279203
ECLASS 8.0	27279203
ECLASS 9.0	27273601
ECLASS 10.0	27273601
ECLASS 11.0	27273601
ECLASS 12.0	27273601
ECLASS 13.0	27273601
ECLASS 14.0	27273601
ETIM 5.0	EC002467
ETIM 6.0	EC002467
ETIM 7.0	EC002467
ETIM 8.0	EC002467
ETIM 9.0	EC002467

# Dimensioned drawings

All dimensions in millimeters



## Electrical connection

### Connection 1

Function	Voltage supply
Type of connection	Cable
Cable length	5,000 mm
Sheathing material	PVC
Cable color	Black
Number of conductors	2 -wire

### Conductor color

### Conductor assignment

Blue	+24 V
Brown	0 V