

## Technical data sheet

### Transponder

Part no.: 50114962

TFM 08 1610.210

#### Contents

- Technical data
- Dimensioned drawings
- Notes
- Further information
- Accessories



Figure can vary



## Technical data

### Basic data

Series	TFM
Suitable for	RFM
Chip	I-CodeSLI
Working frequency	13.56 MHz

### Electrical data

#### Performance data

Memory access	Read/Write
Memory size	112 B
Memory block	28 Piece(s)
Memory block size	4 B
Storage time	50 ms

### Certifications

Standards applied	ISO 15693
-------------------	-----------

### Mechanical data

Design	Disc
Thickness	13.5 mm
Outer diameter	85 mm
Inner diameter	5.5 mm
Housing material	Plastic, PPS
Net weight	50 g

### Environmental data

Ambient temperature, operation	-25 ... 100 °C
Ambient temperature, storage	-25 ... 120 °C
Ambient temperature, storage, time-limited	Up to + 200°C = 4000 h or 3000 cycles (of 40 minutes and > 1.5 h of passive cooling), up to + 220°C = 1000 h or 1500 cycles (of 30 minutes and > 2 h of passive cooling)

### Certifications

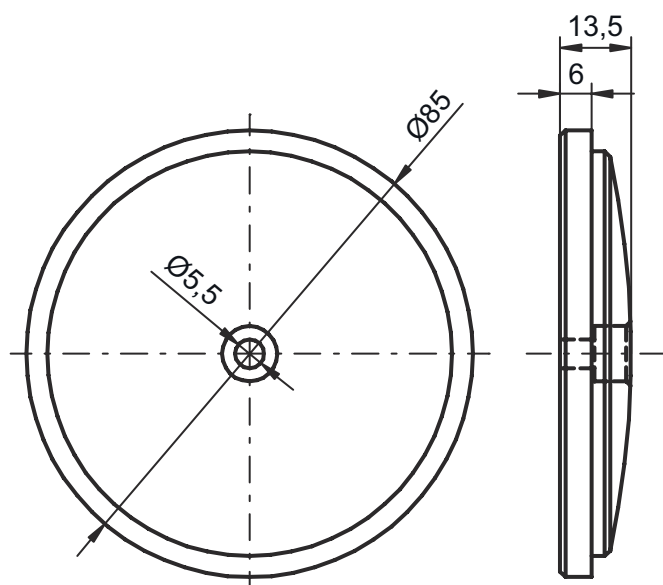
Degree of protection	IP 68
----------------------	-------

### Classification



Customs tariff number	85235200
eCl@ss 8.0	27289290
eCl@ss 9.0	27280402
ETIM 5.0	EC002996
ETIM 6.0	EC002996

## Dimensioned drawings

All dimensions in millimeters



## Notes


 <b>Observe intended use!</b>	
	<ul style="list-style-type: none"> <li>⌘ This product is not a safety sensor and is not intended as personnel protection.</li> <li>⌘ The product may only be put into operation by competent persons.</li> <li>⌘ Only use the product in accordance with its intended use.</li> </ul>


## Further information

- Under certain circumstances, metal in the reading field reduces the operating range considerably.

## Accessories

### Mounting technology - Other

	Part no.	Designation	Article	Description
	50134764	BT TFM 08 1610.210	Mounting bracket	Housing material: Metal, Aluminum

<b>Note</b>	
	<ul style="list-style-type: none"> <li>⌘ A list with all available accessories can be found on the Leuze website in the Download tab of the article detailed page.</li> </ul>