

## Technical data sheet

### Rotary encoder

Part no.: 50144321

EI 1058-S08x20C-0200T-020R

#### Contents

- Technical data
- Dimensioned drawings
- Electrical connection

Figure can vary



## Technical data

### Basic data

Series	EI 1xxx
Type	Incremental rotary encoder

### Measurement data

Max. operating speed	6,000 r/min
Resolution	200 p/r

### Electrical data

Protective circuit	Polarity reversal protection
	Short circuit protected

### Performance data

Supply voltage $U_B$	5 ... 28 V, DC
Open-circuit current	0 ... 150 mA

### Timing

Switching frequency	300,000 Hz
---------------------	------------

### Interface

Type	TTL
------	-----

### Connection

#### Connection 1

Function	Signal OUT
	Voltage supply
Type of connection	Cable
Cable length	2,000 mm
Connector	radial
Sheathing material	PVC
Cable color	Gray
Number of conductors	8 -wire
Wire cross section	0.14 mm <sup>2</sup>

### Mechanical data

Housing material	Metal
Metal housing	Aluminum
Flange type	Clamping flange

### Shaft

Design	Shaft
Dimension ( $\varnothing$ x L)	8 mm
Dimension ( $\varnothing$ x L)	20 mm
Start-up torque	0.5 N·m
Shaft load - axial	60 N
Shaft load - radial	120 N

### Environmental data

Ambient temperature, operation	-40 ... 70 °C
Ambient temperature, storage	-40 ... 70 °C

### Certifications

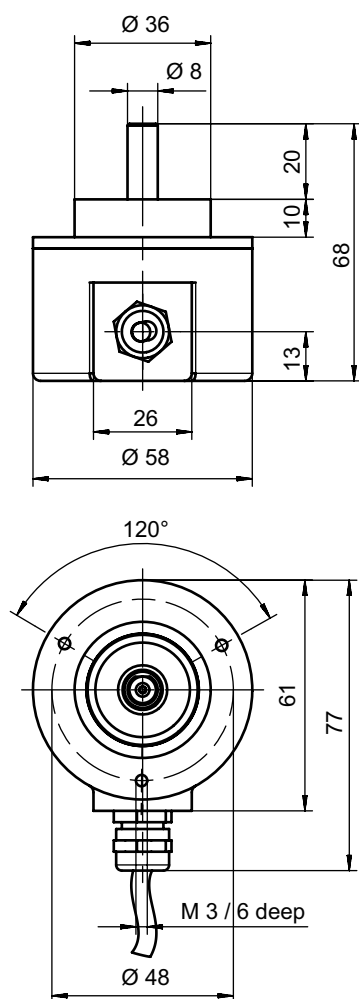
Degree of protection	IP 65
Standards applied	IEC 61000-6-2:2016, IEC 61000-6-4:2016 + A1
Test procedure for vibration in accordance with standard	10g IEC 68-2-6 (10...2000 Hz)

### Classification

eCl@ss 5.1.4	27270501
eCl@ss 8.0	27270501
eCl@ss 9.0	27270501
eCl@ss 10.0	27270501
eCl@ss 11.0	27270501
ETIM 5.0	EC001486
ETIM 6.0	EC001486
ETIM 7.0	EC001486

## Dimensioned drawings

All dimensions in millimeters



## Electrical connection

### Connection 1

Function	Signal OUT
	Voltage supply
Type of connection	Cable
Cable length	2,000 mm
Connector	radial
Sheathing material	PVC
Cable color	Gray
Number of conductors	8 -wire
Wire cross section	0.14 mm <sup>2</sup>

## Electrical connection

Conductor color	Conductor assignment
Brown	V+
White	GND
Green	A
Yellow	A inverted
Pink	B
Black	B inverted
Blue	Z
Red	Z inverted